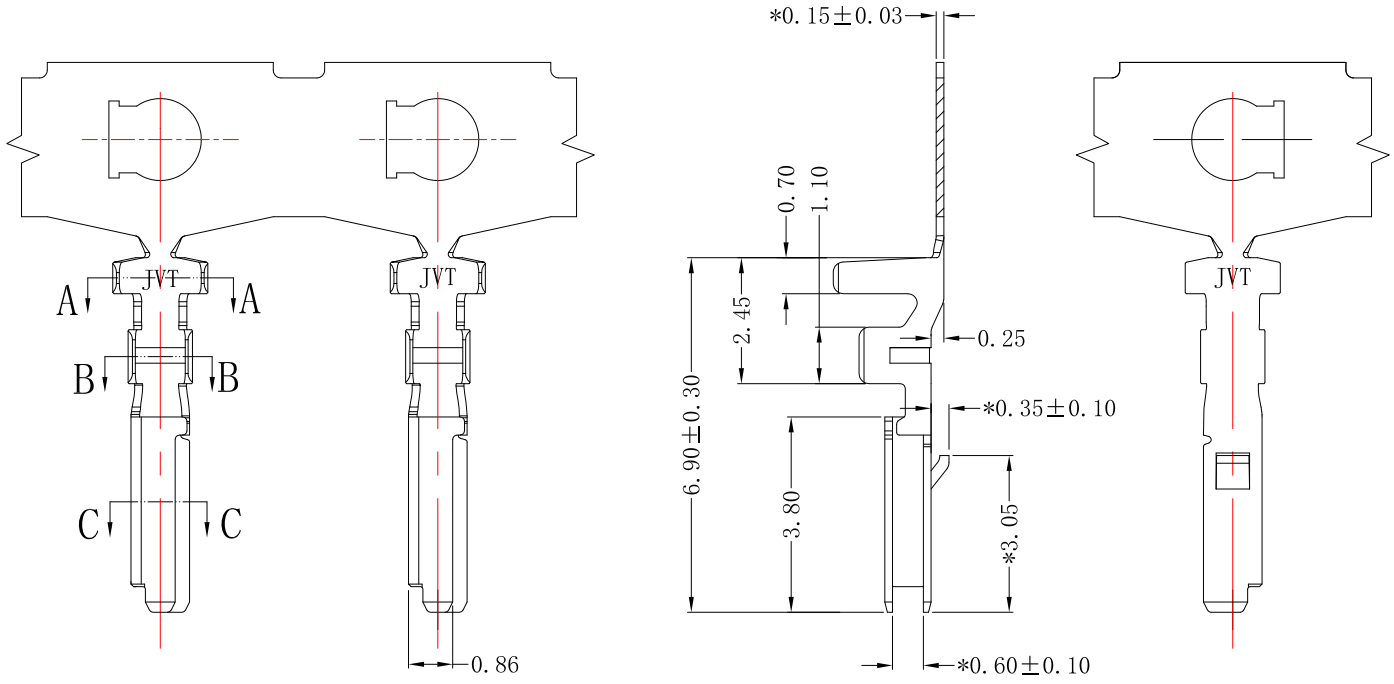


RoHS

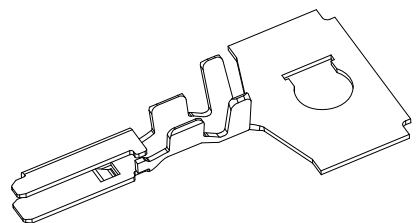
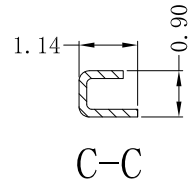
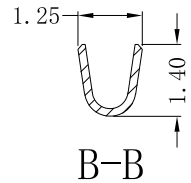
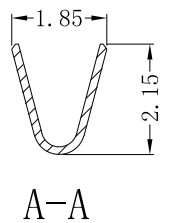


- Terminal
- Material: Phosphor Bronze
 - Finish: Tin-plated
 - Thickness: 0.15mm
 - Wire Range: 24AWG-28AWG
 - O'D: 1.40mm MAX
 - Q'ty: 10000pcs/reel
 - Salt: 24H
 - *Suitable JVT1503H series Terminal
JVT1503W series Wafer
- * is the key control size

JVT1503TP-SNS

Logo
Series NO.
T-Terminal
P-Phosphor bronze

S-Stamping before Plating
SN-Tin Plated



			GENERAL TOLERANCE			Approved by			Check		Design		Standard		1.5mm TER	
			0 ±0.35			LI			CLYDE		LU		P/N		JVT1503TP-SNS	
			.0 ±0.30			Unit			mm		Scale		1:1		Date	
			.00 ±0.20			Date			20191203		Map title		031		Version	
Version			Content of change			Date			Signature			A0				

