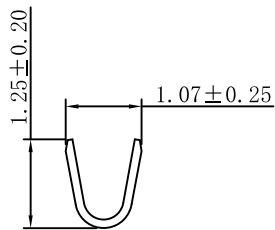
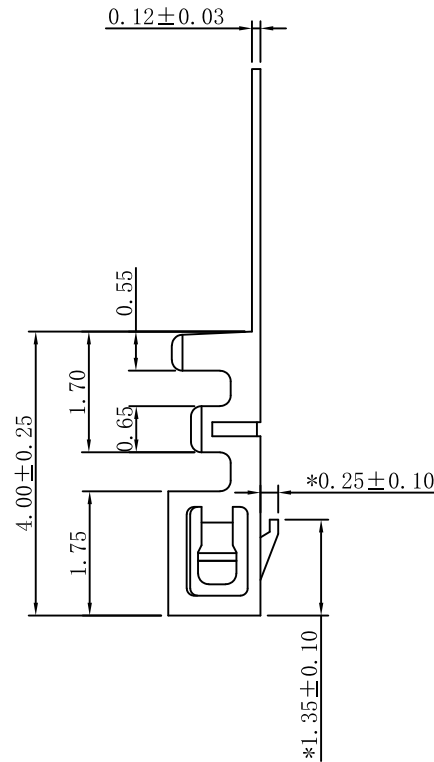
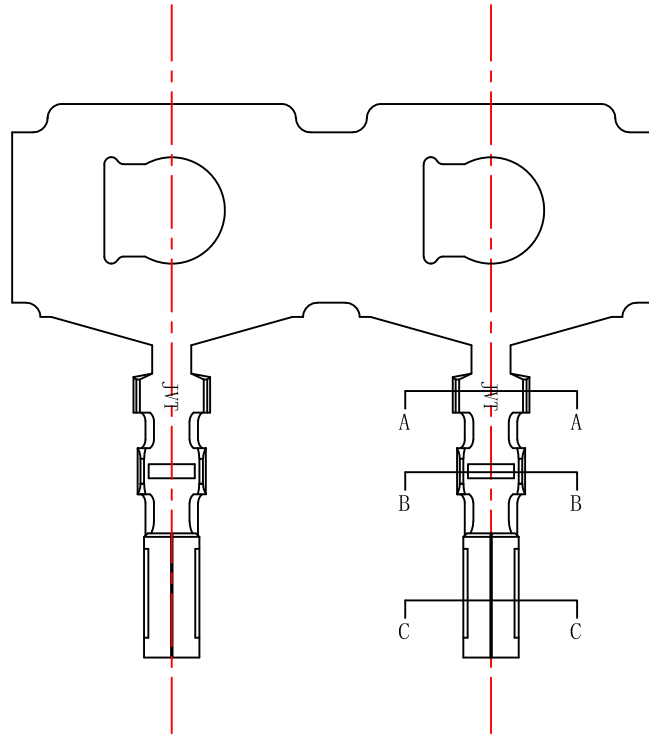


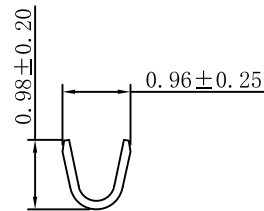
RoHS

Terminal

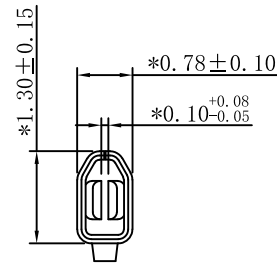
- Material: Phosphor Bronze
- Finish: Tin-plated
- Thickness: 0.12mm
- Wire Range: 28AWG-32AWG
- O'D: 0.80mm MAX
- Q'ty: 20,000pcs/reel
- Salt: 24H
- Suitable JVT1005H series Housing
JVT1005W series Wafer
- * is the key control size



SECTION: A-A



SECTION: B-B



SECTION: C-C

JVT1005TP-SNS

Logo — S-Stamping
Series NO. — before Plating
T-Terminal — SN-Tin Plated
P-phosphor bronze



			GENERAL TOLERANCE			Approved by		Check	Design	Standard	1.00mm TER												
			0 ±0.35			LI		CLYDE	LU	P/N	JVT1005TP-SNS												
			.0 ±0.30			Unit		mm	Scale	1:1	Date	20220211	Map title	031	Version	A0							
Version			Content of change			Date			Signature														
A			B			C			D			E			F			G			H		

