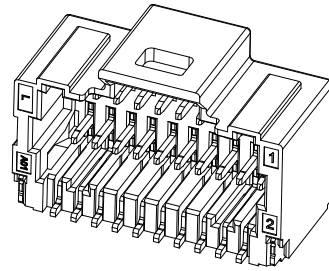
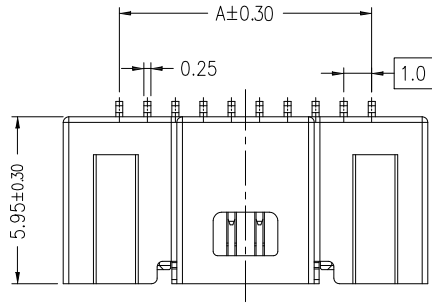


RoHS

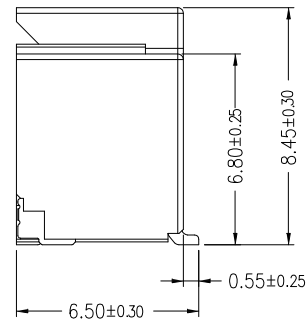
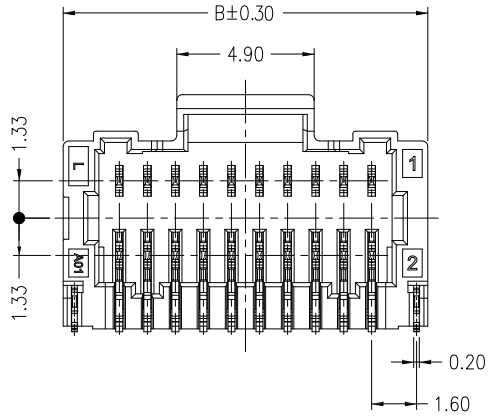
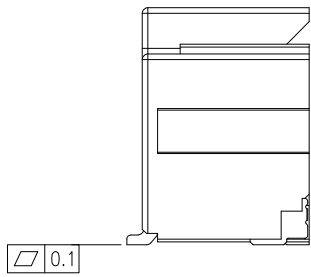


SPECIFICATION

- Voltage rating: 50V AC, DC
- Current Rating: 1A, AC, DC
- Withstand voltage: 250V AC/minute
- Contact resistance: 20mΩ Max
- Insulation resistance: 100MΩmin
- Temperature range: -40° C ~ +105° C

WAFER

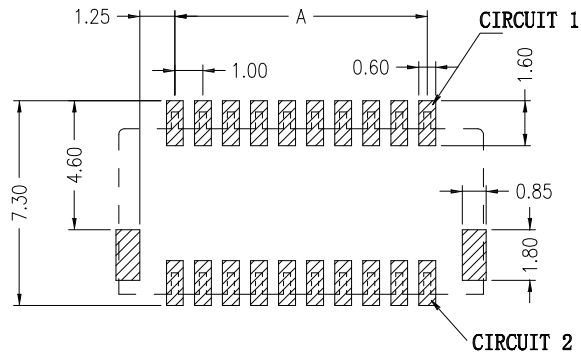
- Material: Base, PA9T UL94V-0;
pin: Phosphor bronze Gold-plated
Solder Tabs: Brass Tin-plated
Color: natural color



JVT1005W9T-2*XXGAR-S

Logo
Series NO.
Wafer
PA9T
Pin NO.

SMT
R-90°
GA-Gold plated



RECOMMENDED PCB LAYOUT
ALL TOLERANCE ARE ±0.05



Circuits	Dimensions(mm)	
	A	B
2x10	9.00	13.00
2x15	14.00	18.00
2x20	19.00	23.00
2x25	24.00	28.00

			<p>GENERAL TOLERANCE</p> <p>0 ±0.40</p> <p>.0 ±0.35</p> <p>.00 ±0.25</p> <p>.000 ±0.15</p>			<p>JVT 乔业连接器 JVT CONNECTORS</p>			Approved by	Check	Design	Standard	1.0mm 90° WAFER Double row SMT						
Version			Content of change			Date	Signature	LI	CLYDE	LU	P/N	JVT1005W9T-2*XXGAR-S							
A			B			C			Unit	mm	Scale	1:1	Date	20210922	Map title		141	Version	A0