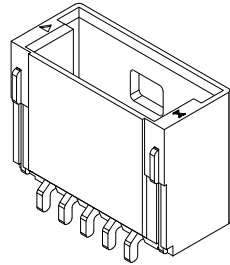
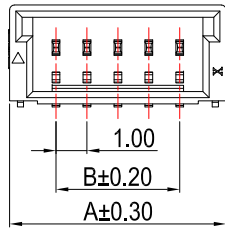


RoHS

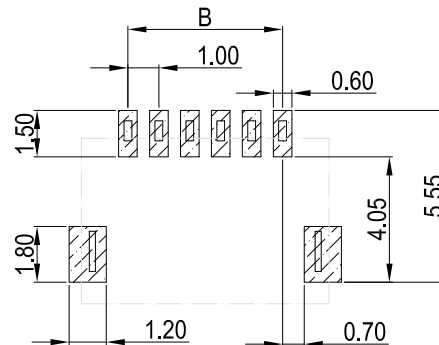
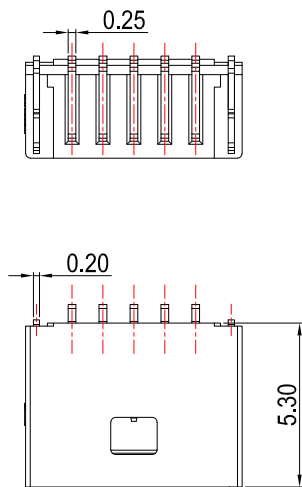
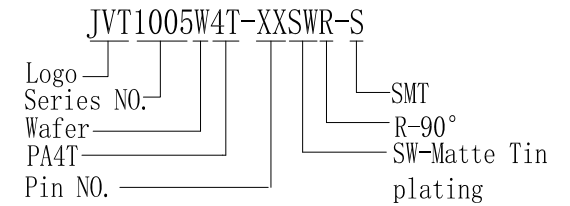
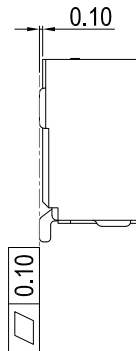
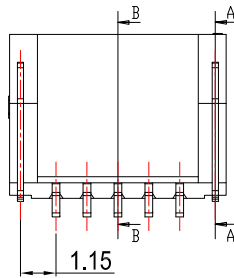
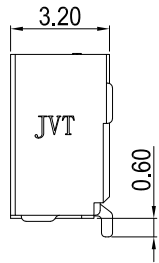


**SPECIFICATION**

- Voltage rating: 50V AC, DC
- Current Rating: 1A, AC, DC
- Withstand voltage: 250V AC/minute
- Contact resistance: 20mΩ max
- Insulation resistance: 100MΩ min
- Temperature range: -40° C ~ +105° C

**WAFER**

- Material: PA4T UL94V-0
- Color: Natural color
- Pin: Phosphor Bronze Tin-plated
- Contact: Brass Tin-plated
- Suitable JVT1005T series Terminal
- JVT1005H series Housing



Poles	Dimensions (mm)	
	A	B
2	4.00	1.00
3	5.00	2.00
4	6.00	3.00
5	7.00	4.00

GENERAL TOLERANCE	
0	±0.35
.0	±0.30
.00	±0.20
.000	±0.10



Approved by	Check	Design	Standard	1.0mm 90° SMT WAFER		
LI	CLYDE	YANG	P/N	JVT1005W4T-XXSWR-S		
			Map title	031	Version	A0

Version	Content of change	Date	Signature	Unit	mm	Scale	1:1	Date	20221216
---------	-------------------	------	-----------	------	----	-------	-----	------	----------

A B C D E F G H