

RoHS

■ SPECIFICATIONS

- Voltage Rating: 100V AC / DC
- Current Rating: 2A AC / DC
- Withstanding Voltage: 500V AC/minute
- Temperature Range: -40° C~+105° C
- Insulation Resistance: 500MΩ Min.
- Contact Resistance: 40mΩ Max.

\*Suitable JVT1504T series Terminal  
JVT1504W series Wafer

■ \*Material

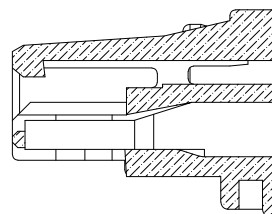
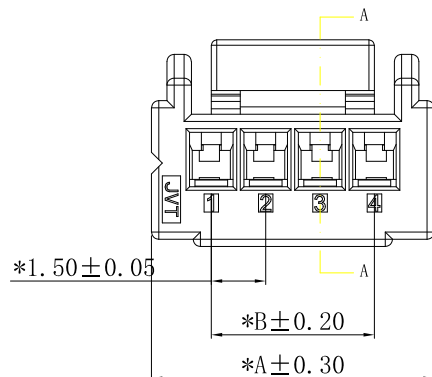
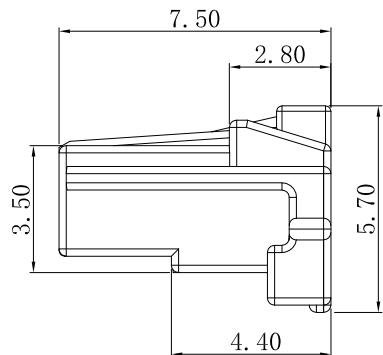
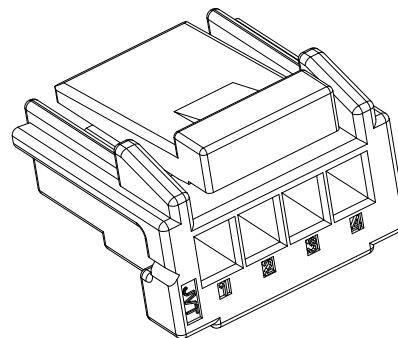
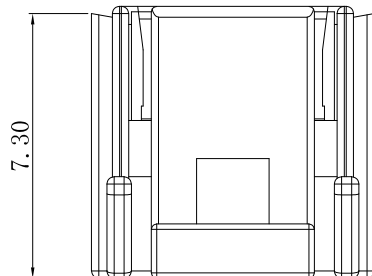
Material: PBT UL 94V-0  
Color: NATURAL

■ Packing specifications:

02~10P: 2000pcs/bag

11~16p: 1000pcs/bag

\* is the key control size



Cutaway view A-A  
比例 1:1

JVT1504HPT-XX  
Logo Series NO. Housing Pin NO. PT-PBT UL94V-0



Poles	DIM	
	A	B
02	5.00	1.50
03	6.30	3.00
04	7.80	4.50
05	9.30	6.00
06	10.80	7.50
07	12.30	9.00
08	13.80	10.50
09	15.30	12.00
10	16.80	13.50
11	18.30	15.00
12	19.80	16.50
13	21.30	18.00
14	22.80	19.50
15	24.30	21.00
16	25.80	22.50

				GENERAL TOLERANCE		JVT 乔业连接器 JVT CONNECTORS		Approved by	Check	Design	Standard	1.50mm HSG		
				0 ±0.35		CONNECTORS		LI	CLYDE	LU	P/N	JVT1504HPT-XX		
				.0 ±0.30						Map title		031	Version	A0
Version	Content of change	Date	Signature	Unit	mm	Scale	1:1	Date	20200527					
A	B	C	D	E	F	G	H							