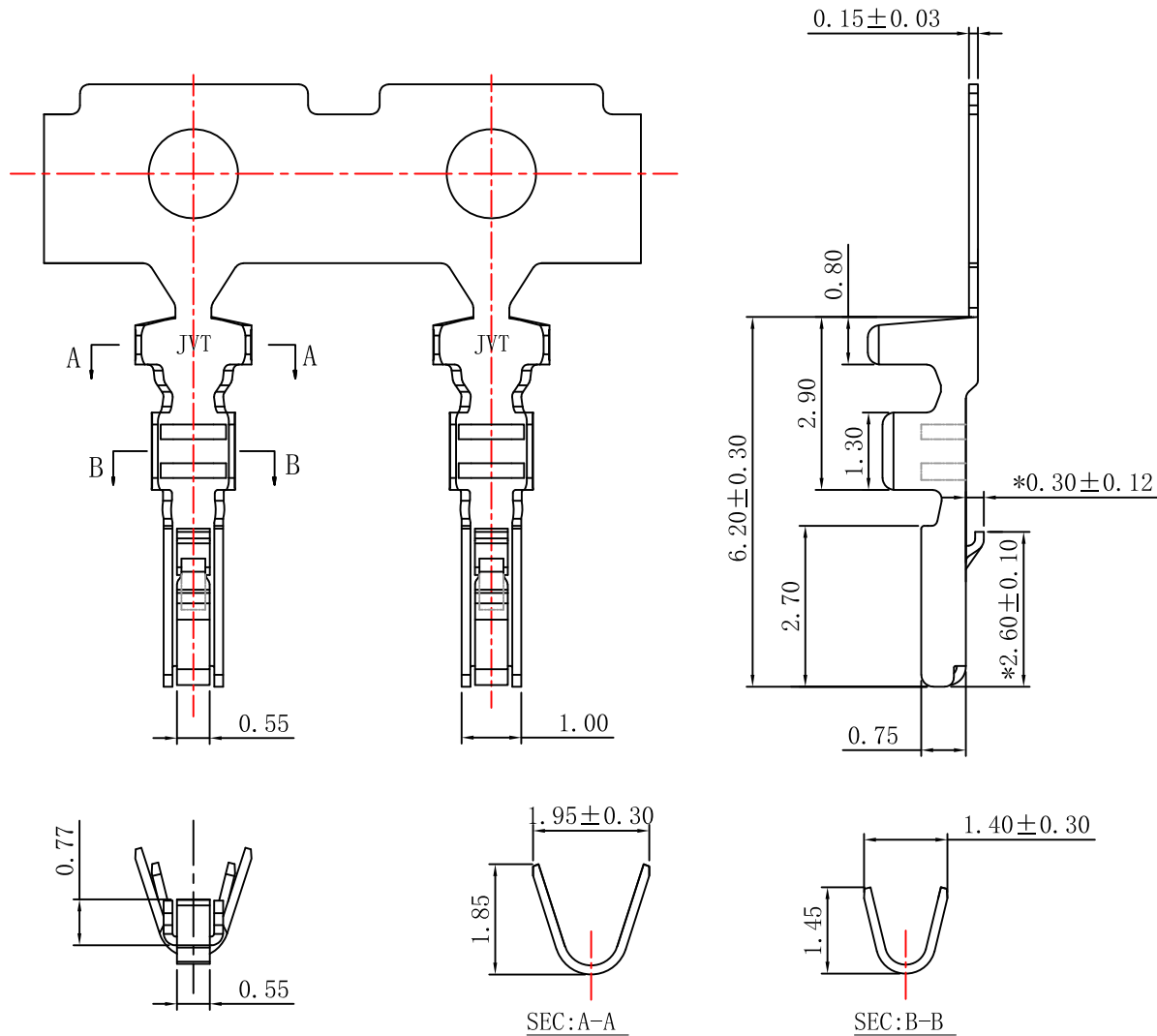


RoHS



Terminal

- Material: Phosphor Bronze
- Finish: Tin/Gold-plated
- Thickness: 0.15mm
- Wire Range: 24AWG-28AWG
- O'D: 0.8 to 1.20mm
- Q'ty: 10,000pcs/reel
- Salt: 24H
- Suitable JVT1504H series Housing
JVT1504W series Wafer
- * is the key control size

JVT1504TP-SNSH

Logo ———

Series NO. ———

T-Terminal ———

P-phosphor bronze ———

H-High foot

S-Stamping

before Plating

SN-Tin Plated

GP-Gold plating



				GENERAL TOLERANCE		JVT 乔业连接器 JVT CONNECTORS		Approved by	Check	Design	Standard	1.50mm TER	
				0 ±0.35		CONNECTORS		LI	CLYDE	LU	P/N	JVT1504TP-SNSH	
				.0 ±0.30						Map title		031	Version B
				.00 ±0.20									
				.000 ±0.10									
Version	Content of change		Date	Signature	Unit	mm	Scale	1:1	Date	20200408			