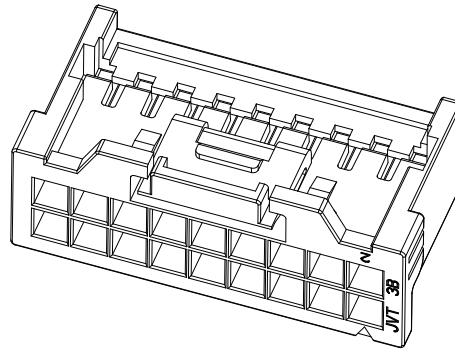
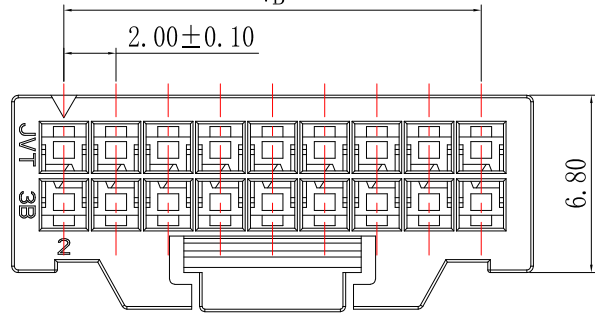


RoHS

2*11~2*20P B±0.30
2*02~2*10P B±0.20
*B



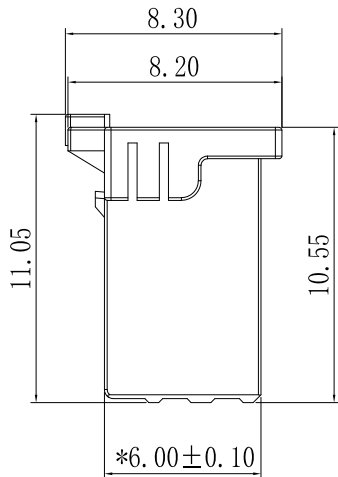
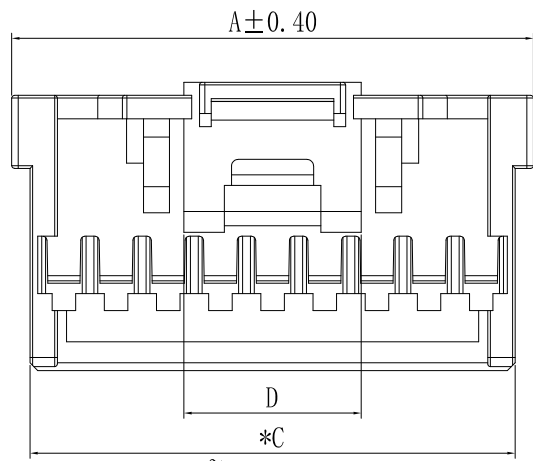
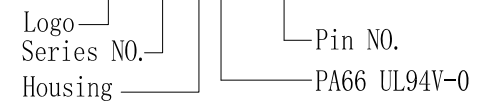
- SPECIFICATIONS :**
- Voltage Rating: 250V AC / DC
 - Current Rating: 2A AC / DC
 - Withstanding Voltage: 1000V AC/minute
 - Temperature Range: -40°C~+105°C
 - Insulation Resistance: 1000MΩ Min.
 - Contact Resistance: 20mΩ Max.
 - *Suitable JVT2036T series Terminal
 - *Suitable JVT2036W series Wafer

***Material:**
Material: PA66 UL 94V-0
Color:natural color

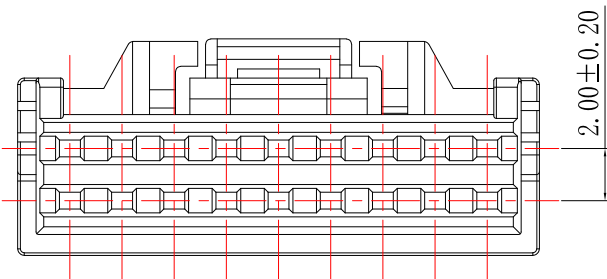
Packing specifications:
2*02~2*05P 2,000 pcs/bag
2*06~2*10P 1,000 pcs/bag
2*11~2*20P 500 pcs/bag

*is the key control size

JVT2036HN0-2*XX



2*11~2*20P C±0.30
2*02~2*10P C±0.20



CKL	A	B	C	D	CKL	A	B	C	D
2*02	6	2	4.6	2.2	2*12	26	22	24.6	6.8
2*03	8	4	6.6	2.2	2*13	28	24	26.6	6.8
2*04	10	6	8.6	3.1	2*14	30	26	28.6	6.8
2*05	12	8	10.6	5.1	2*15	32	28	30.6	6.8
2*06	14	10	12.6	6.8	2*16	34	30	32.6	6.8
2*07	16	12	14.6	6.8	2*17	36	32	34.6	6.8
2*08	18	14	16.6	6.8	2*18	38	34	36.6	6.8
2*09	20	16	18.6	6.8	2*19	40	36	38.6	6.8
2*10	22	18	20.6	6.8	2*20	42	38	40.6	6.8
2*11	24	20	22.6	6.8					

Version		Content of change		Date	Signature			Unit	mm	Scale	1:1	Date	20180315	Approved by	LI	Check	CLYDE	Design	LU	Standard	2.0mm DUAL ROW HSG		
											JVT 乔业连接器 JVT CONNECTORS				P/N		JVT2036HN0-2*XX		Map title		031	Version	A0