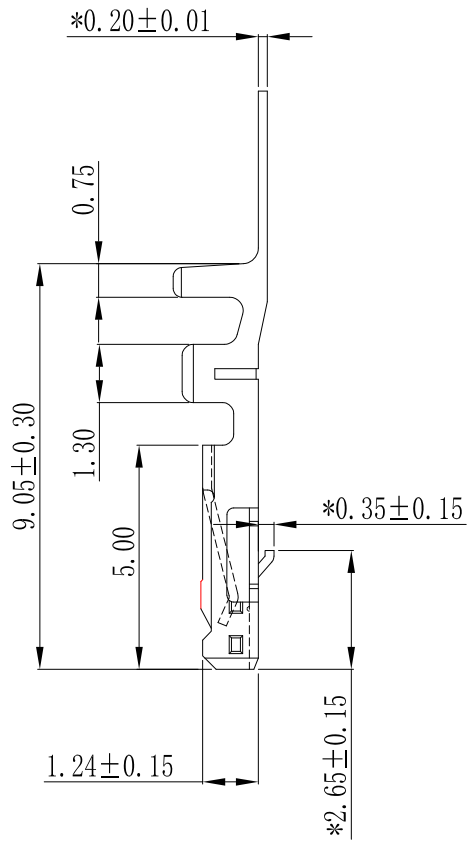
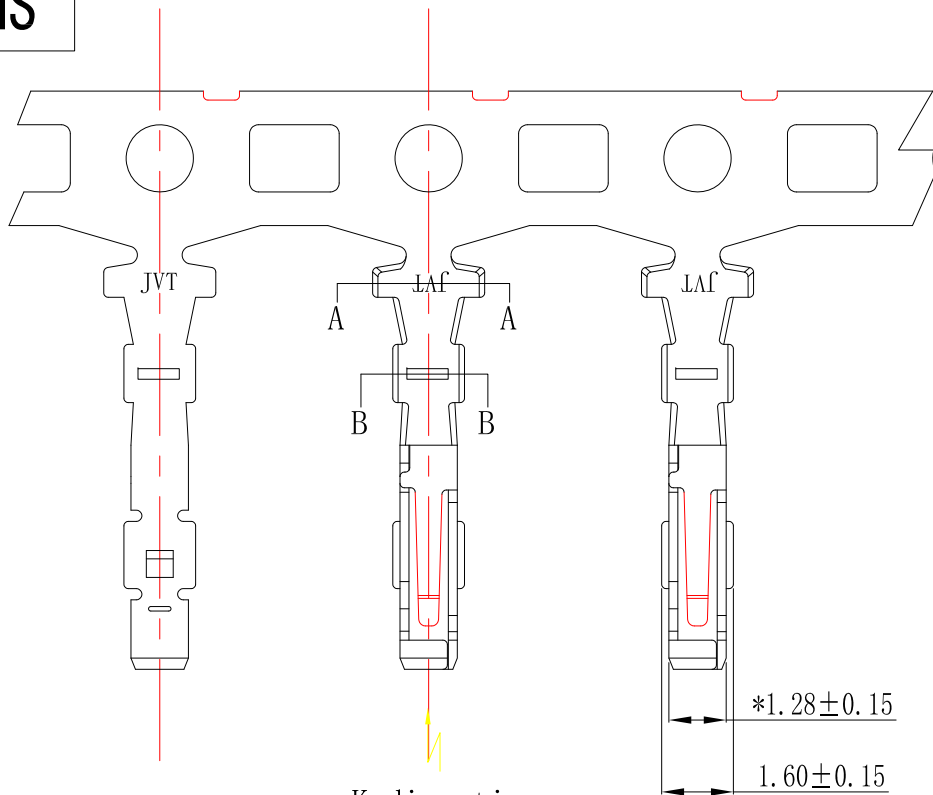


RoHS

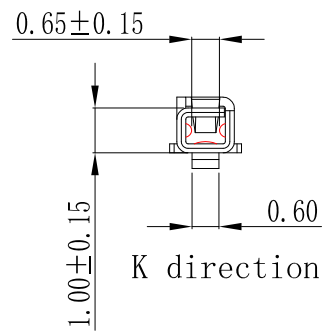
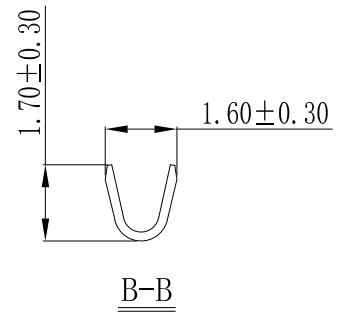
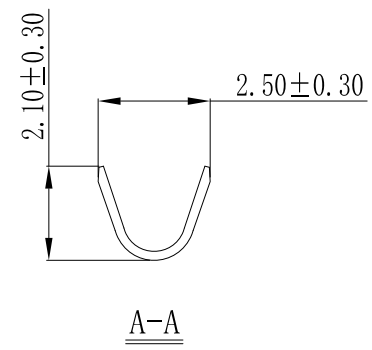


- Terminal
- Material: Phosphor Bronze
  - Finish: Tin-plated
  - Thickness: 0.20mm
  - Wire Range: 22AWG-28AWG
  - O'D: 1.50mm MAX
  - Q'ty: 10000pcs/reel
  - Salt fog: 24H
  - \*Suitable JVT2036H series Housing  
JVT2036W series Wafer
- \* is the key control size

JVT2036TP-SNS

Logo ———  
 Series NO. ———  
 T-Terminal ———  
 P-Phosphor ———

————— S-Stamping  
 before Plating  
 ——— SN-Tin Plated  
 bronze



			GENERAL TOLERANCE 0 ±0.35 .0 ±0.30 .00 ±0.20 .000 ±0.10			<b>乔业连接器</b> <b>JVT CONNECTORS</b> <b>CONNECTORS</b>			Approved by	Check	Design	Standard	2.0mm TER		
									LI	CLYDE	LU	P/N	JVT2036TP-SNS		
Version	Content of change	Date	Signature	Unit	mm	Scale	1:1	Date	20210602	Map title			031	Version	A0