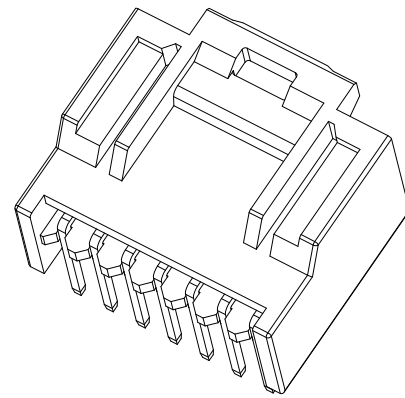
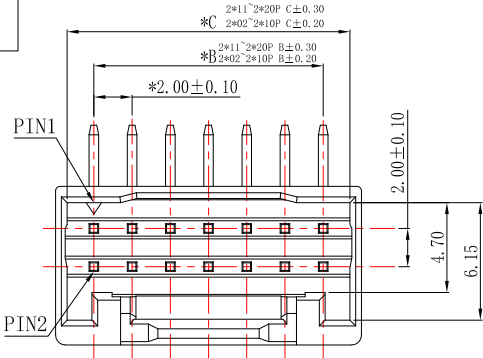


RoHS



■ Specifications

- Voltage rating: 250V AC/ DC
- Current rating: 2A AC/ DC
- Withstanding Voltage: 1000V AC/minute.
- Insulation resistance: 1000MΩ Min.
- Temperature range: -40℃~+105℃
- Contact resistance: 20mΩ Max.

■ Wafer

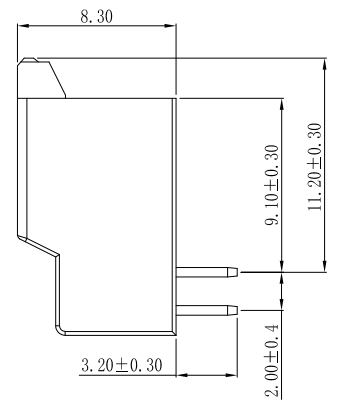
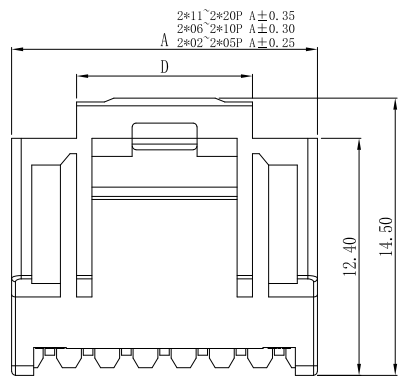
- Material: LCP UL 94V-0
- Pin: Brass/Tin-Plated

1

1

2

2



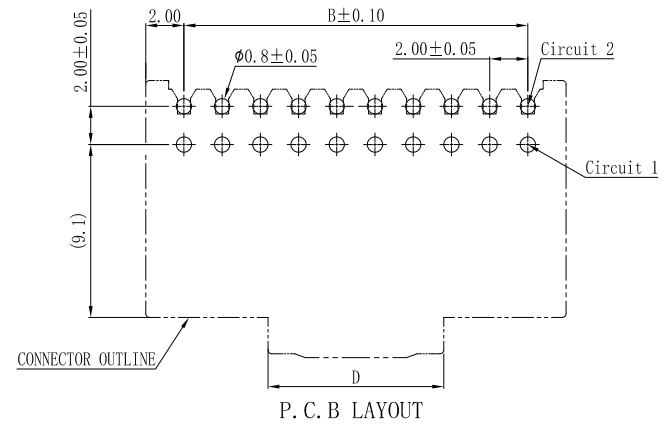
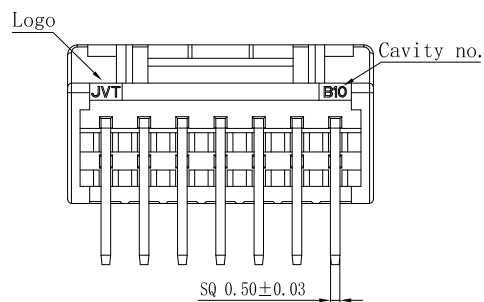
JVT2036WLP-2*XXSNR-D

Logo
Series NO.
Wafer
LCP UL94V-0

D-DIP
R-Right Angle 90°
SN-Tin Plated
Pin NO.

3

3



4

4

CKL	A	B	C	D	CKL	A	B	C	D
2*02	6	2	4.8	3.2	2*12	26	22	24.8	9.2
2*03	8	4	6.8	3.8	2*13	28	24	26.8	
2*04	10	6	8.8	5.2	2*14	30	26	28.8	
2*05	12	8	10.8	7.3	2*15	32	28	30.8	
2*06	14	10	12.8	9.2	2*16	34	30	32.8	
2*07	16	12	14.8		2*17	36	32	34.8	
2*08	18	14	16.8	2*18	38	34	36.8		
2*09	20	16	18.8	2*19	40	36	38.8		
2*10	22	18	20.8	2*20	42	38	40.8		
2*11	24	20	22.8						

				GENERAL TOLERANCE		JVT 乔业连接器 JVT CONNECTORS		Approved by	Check	Design	Standard	2.0mm DUAL ROW 90° DIP WAFER		
				0 ±0.35 .0 ±0.30 .00 ±0.20 .000 ±0.10		CONNECTORS		LI	CLYDE	LU	P/N	JVT2036WLP-2*XXSNR-D		
Version	Content of change	Date	Signature	Unit	mm	Scale	1:1	Date	20210623	Map title	031	Version	A0	
A		B		C		D		E		F		G		H