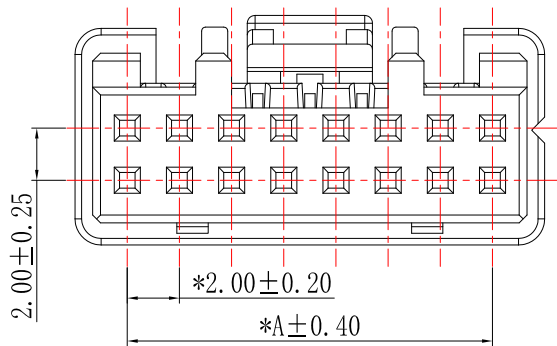
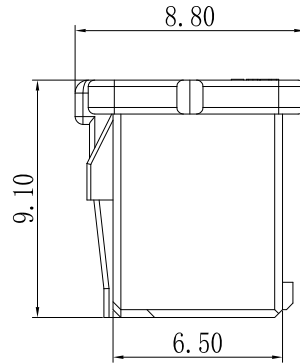
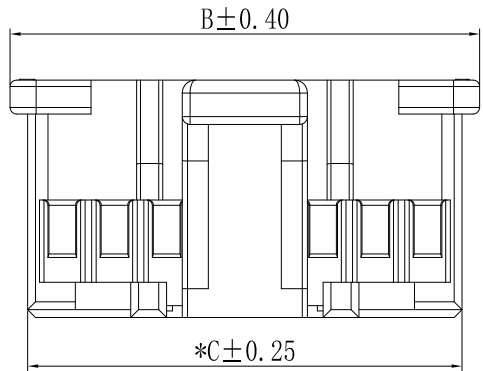
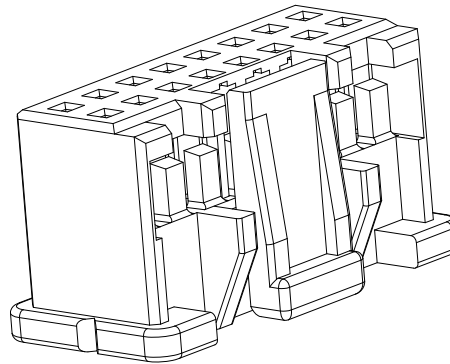
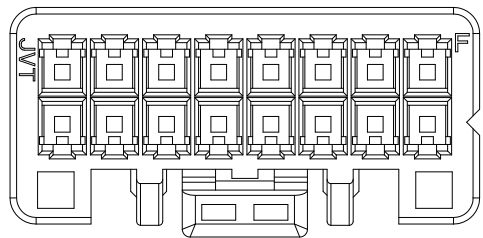


RoHS



- SPECIFICATIONS :**
- Voltage Rating: 250V AC / DC
 - Current Rating: 3A AC / DC
 - Withstanding Voltage: 800V AC/minute
 - Temperature Range: -40°C~+105°C
 - Insulation Resistance: 1000MΩ Min.
 - Contact Resistance: 20mΩ Max.
 - *Suitable JVT2060T series Terminal
 - JVT2060W series Wafer

***Material:**
 Material: PA66 UL 94V-0
 Color:natural color

Packing specifications:
 2*02~2*05P 2,000 pcs/bag
 2*06~2*10P 1,000 pcs/bag
 2*11~2*20P 500 pcs/bag

*is the key control size

JVT2060HNO-2*XXL
 Logo Series NO. Housing PA66 UL94V-0
 Lock Pin NO.

CKL	A	B	C	CKL	A	B	C
2*02	2.00	6.00	4.65	2*12	22.00	26.00	24.65
2*03	4.00	8.00	6.65	2*13	24.00	28.00	26.65
2*04	6.00	10.00	8.65	2*14	26.00	30.00	28.65
2*05	8.00	12.00	10.65	2*15	28.00	32.00	30.65
2*06	10.00	14.00	12.65	2*16	30.00	34.00	32.65
2*07	12.00	16.00	14.65	2*17	32.00	36.00	34.65
2*08	14.00	18.00	16.65	2*18	34.00	38.00	36.65
2*09	16.00	20.00	18.65	2*19	36.00	40.00	38.65
2*10	18.00	22.00	20.65	2*20	38.00	42.00	40.65
2*11	20.00	24.00	22.65				

Version	Content of change	Date	Signature	Unit	mm	Scale	1:1	Date	20220115

GENERAL TOLERANCE	
0	±0.35
.0	±0.30
.00	±0.20
.000	±0.10



Approved by	Check	Design	Standard	2.0mm HSG		
LI	CLYDE	LU	P/N	JVT2060HNO-2*XXL		
			Map title	031	Version	A0