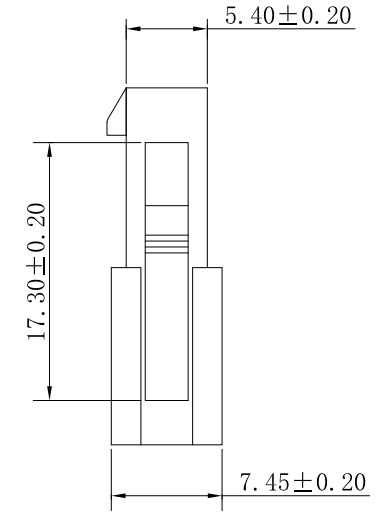
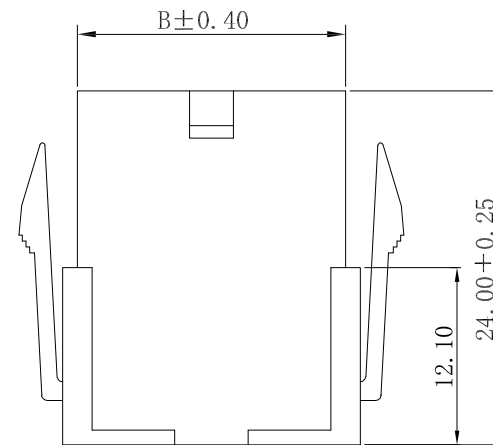
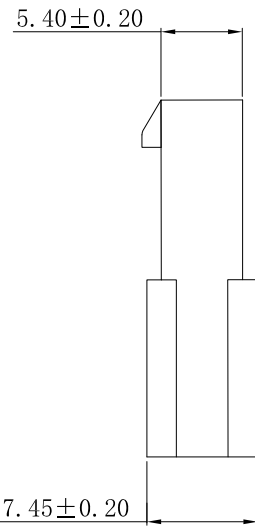
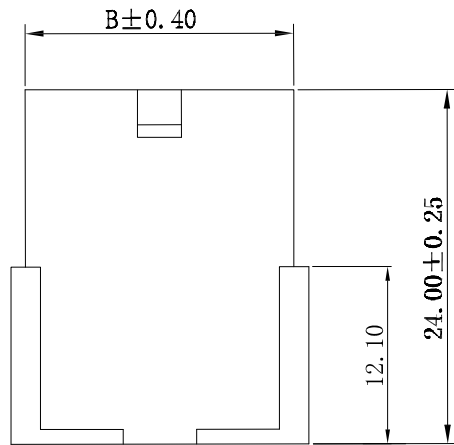
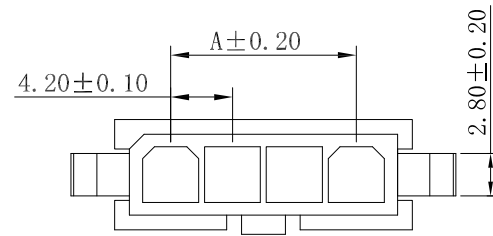
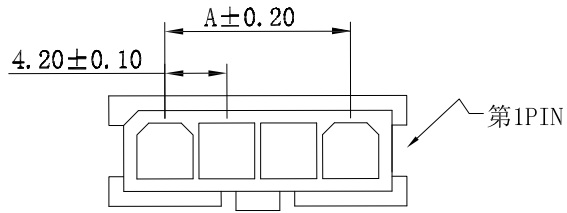


RoHS

无翅

有翅



■ SPECIFICATION

- Voltage rating: 600V AC, DC
- Current Rating: 7A, AC, DC
- Withstand voltage: 1500V AC/minute
- Contact resistance: 20mΩ max
- Insulation resistance: 1000MΩ min
- Temperature range: -40° C ~ +105° C

■ HOUSING

- Material: Nylon 66 UL 94V-0/2

JVT1148HXX-XXX

Logo —  
 Series NO. —  
 Housing —  
 PA66 UL94V-0 —  
 PA66 UL94V-2 —

L-With wings  
 Blank-Without wings  
 Pin NO.



| Part NO | Dimensions (mm) |       |
|---------|-----------------|-------|
|         | A               | B     |
| 02      | 4.20            | 9.80  |
| 03      | 8.40            | 14.00 |
| 04      | 12.60           | 18.20 |
| 05      | 16.80           | 22.40 |
| 06      | 21.00           | 26.60 |
| 07      | 25.20           | 30.80 |
| 08      | 29.40           | 35.00 |
| 09      | 33.60           | 39.20 |
| 10      | 37.80           | 43.40 |
| 11      | 42.00           | 47.60 |
| 12      | 46.20           | 51.80 |

| Version | Content of change | Date | Signature | Unit | mm | Scale | 1:1 | Date | 20150922 | Approved by | Check | Design | Standard  | 4.2mm HSG      |         |    |
|---------|-------------------|------|-----------|------|----|-------|-----|------|----------|-------------|-------|--------|-----------|----------------|---------|----|
|         |                   |      |           |      |    |       |     |      |          | LI          | CLYDE | LU     | P/N       | JVT1148HXX-XXX |         |    |
|         |                   |      |           |      |    |       |     |      |          |             |       |        | Map title | 044            | Version | A0 |