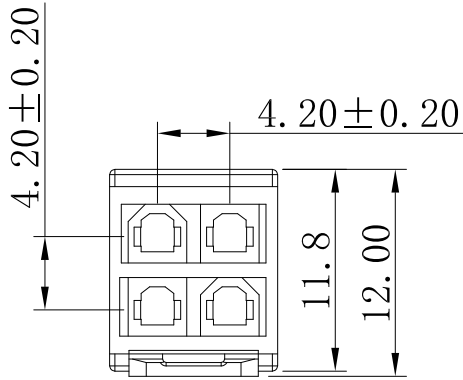
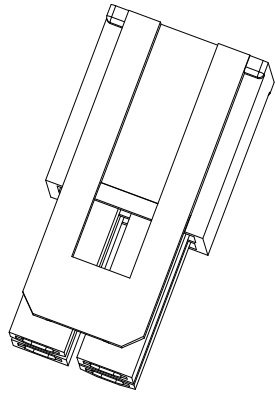


RoHS



■ SPECIFICATIONS :

- Voltage Rating: 600V AC / DC
- Current Rating: 7A AC / DC
- Withstanding Voltage: 1500V AC/minute
- Temperature Range: -40°C~+105°C
- Insulation Resistance: 1000MΩ Min.
- Contact Resistance: 20mΩ Max.
- Suitable JVT1149T series Terminal
JVT1150W series Wafer

■ Material:

Material: PA66 UL 94V-0
Color: Natural color

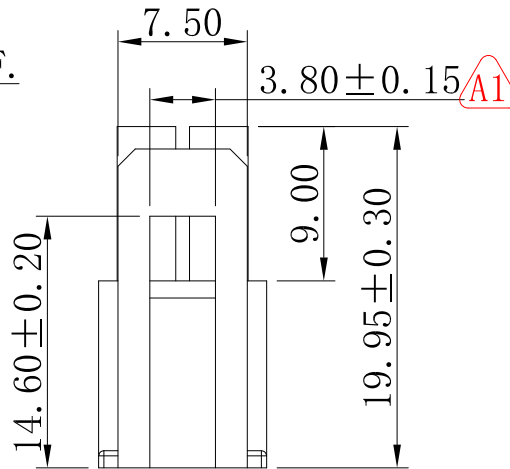
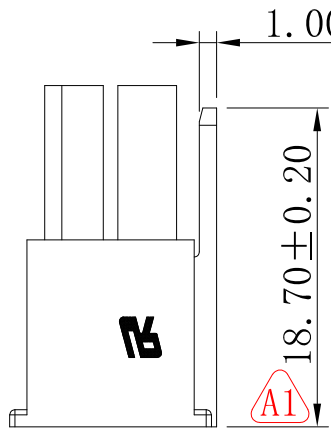
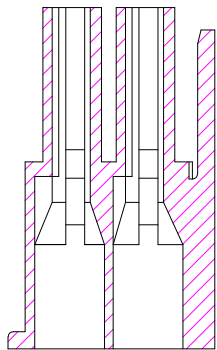
■ Packing specifications: 1,000 pcs/bag

1

1

2

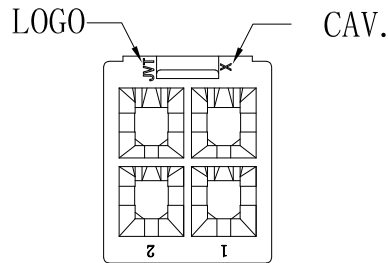
2



JVT1149HNO-2*02-C
Logo Series NO. Pin NO.
H-Housing NO-PA66 UL94V-0

3

3



4

4

			GENERAL TOLERANCE			Approved by		Check	Design	Standard	4.20mm-2*02 HSG		
			0 ±0.35			LI		CLYDE	LU	P/N	JVT1149HNO-2*02-C		
A1			修改A1处尺寸及公差			Date		Signature		Map title	031	Version	A1
Version			Content of change			Date		Signature					



A

B

C

D

E

F

G

H