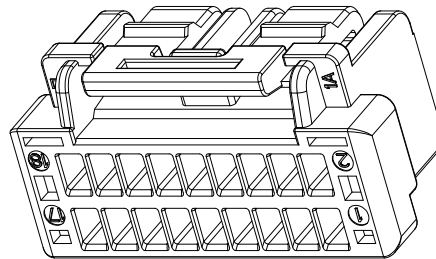
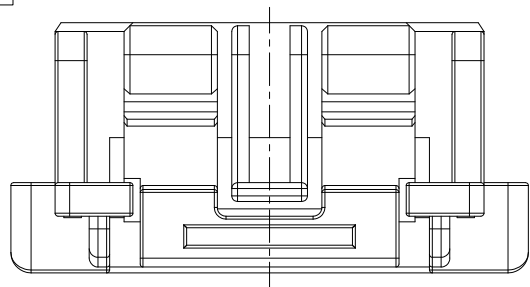


RoHS



SPECIFICATION

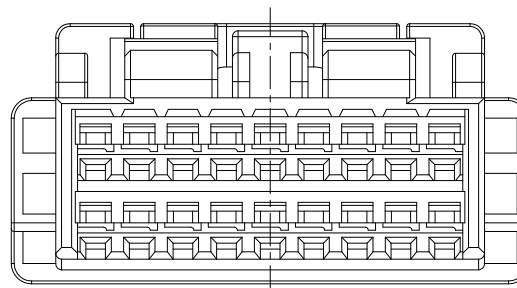
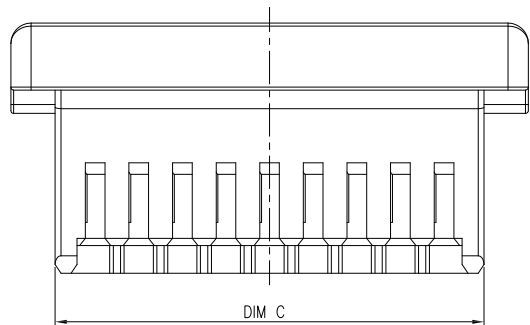
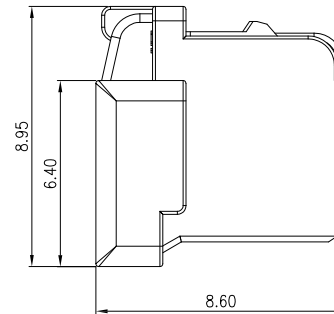
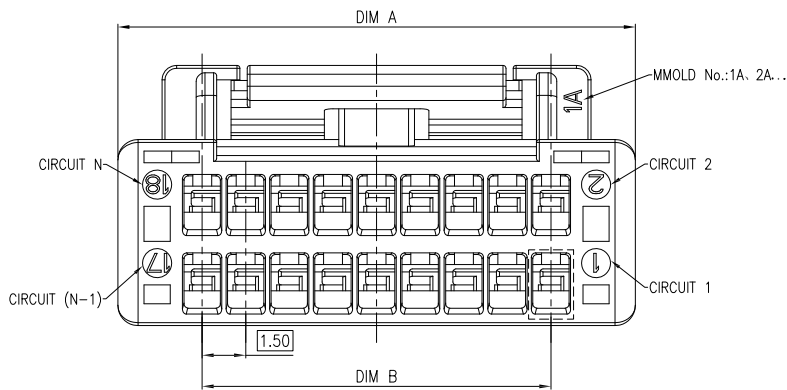
- Voltage rating: 100V AC, DC
- Current Rating: 2.0A, AC, DC
- Withstand voltage: 500V AC/minute
- Contact resistance: 20mΩ max
- Temperature range: -40° C ~ +105° C
- Insulation resistance: 500MΩ min

HOUSING

- Material: PBT UL 94V-0
- Color: Nature

JVT1503HPT-2*XXL

Logo — L-Lock
 Series NO. — Pin NO.
 Housing — PBT UL94V-0



Poles	DIM A	DIM B	DIM C
2*04	10.30	4.50	7.25
2*05	11.80	6.00	8.75
2*06	13.30	7.50	10.25
2*07	14.80	9.00	11.75
2*08	16.30	10.50	13.25
2*09	17.80	12.00	14.75
2*10	19.30	13.50	16.25
2*11	20.80	15.00	17.75
2*12	22.30	16.50	19.25
2*13	23.80	18.00	20.75

				GENERAL TOLERANCE		乔业连接器 JVT CONNECTORS CONNECTORS		Approved by	Check	Design	Standard	1.5mm Double row HSG Lock			
								LI	CLYDE	LU	P/N	JVT1503HPT-2*XXL			
Version	Content of change	Date	Signature					Unit	mm	Scale	1:1	Date	20210922	Map title	141