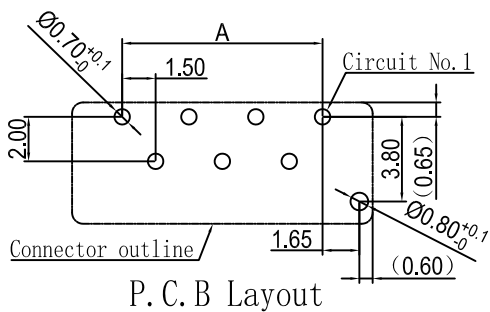
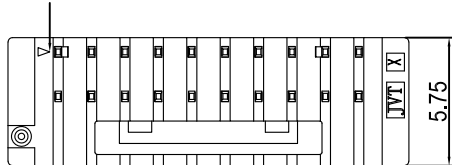


RoHS

错位PIN, 箭头所指为第一PIN, 向内打凸点

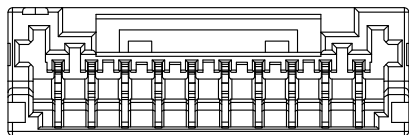
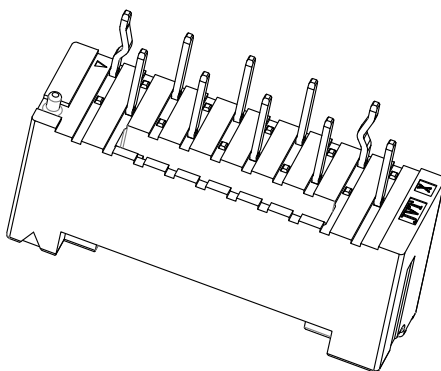
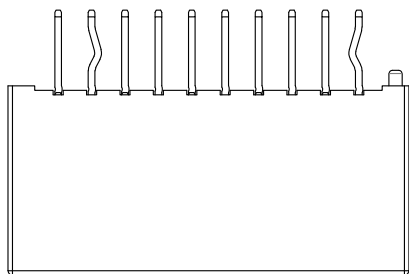
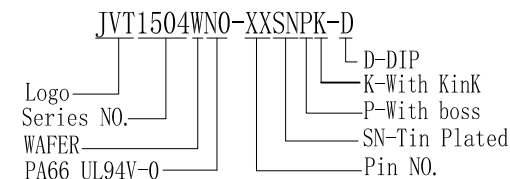
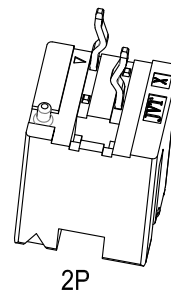
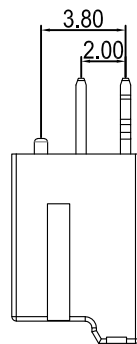
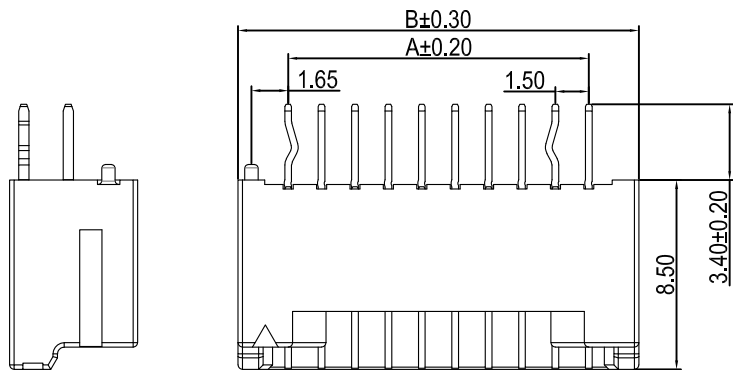


SPECIFICATION

- Voltage rating: 100V AC, DC
- Current Rating: 2A, AC, DC
- Withstand voltage: 500V AC/minute
- Contact resistance: 40mΩ max
- Insulation resistance: 500MΩ min
- Temperature range: -40° C ~ +105° C

WAFER

- Material: PA66 UL94V-0 G/F
- Pin: Phosphor Bronze Tin-plated
- Suitable JVT1504H series Terminal
- JVT1504W series Wafer



CKL	DimA	DimB
02	1.5	6.00
03	3.0	7.50
04	4.5	9.00
05	6.0	10.50
06	7.5	12.00
07	9.0	13.50
08	10.5	15.00
09	12.0	16.50
10	13.5	18.00
11	15.0	19.50
12	16.5	21.00
13	18.0	22.50
14	19.5	24.00
15	21.0	25.50
16	22.5	27.00

Version	Content of change	Date	Signature	GENERAL TOLERANCE	Unit	mm	Scale	1:1	Date	20220820
				0 ±0.35						
				.0 ±0.30						
				.00 ±0.20						
				.000 ±0.10						



Approved by	Check	Design	Standard	1.5mm 180° DIP WAFER		
LI	CLYDE	YANG	P/N	JVT1504WN0-XXSNPK-D		
			Map title	031	Version	A0