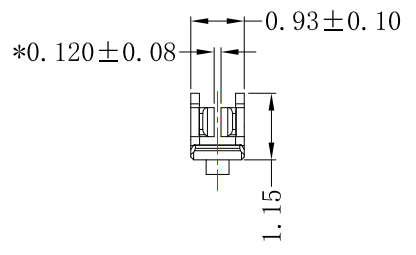
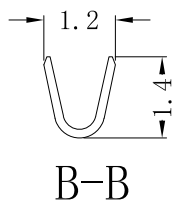
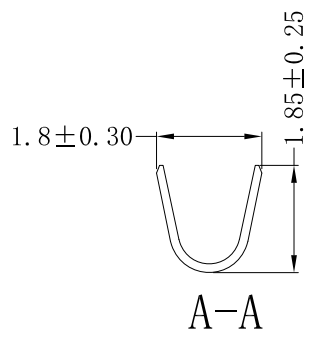
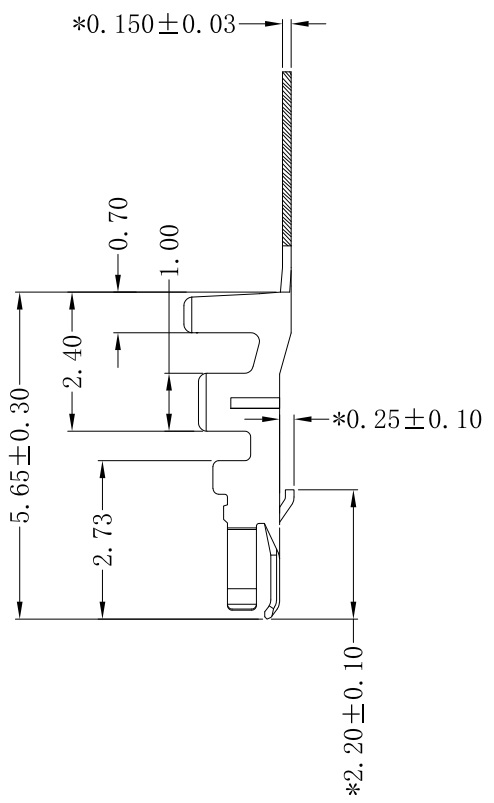
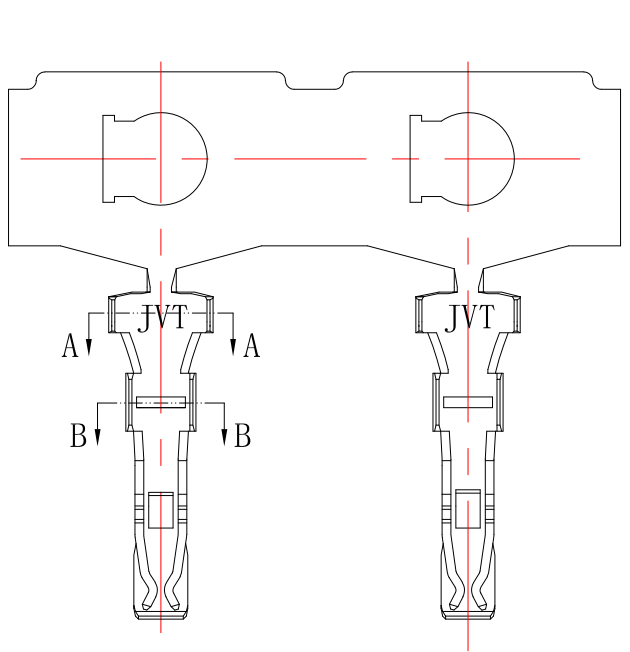


RoHS



Terminal

- Material: Phosphor Bronze
- Finish: Tin-plated
- Thickness: 0.15mm
- Wire Range: 24AWG-28AWG
- O'D: 1.10mm MAX
- Q'ty: 15,000pcs/reel
- Salt fog: 24H
- Suitable JVT1505H series Housing
JVT1505W series Wafer
- * is the key control size
- Current Rating: 3A (AWG24#), AC/DC

JVT1505TP-SNS
 Logo —
 Series NO. —
 T-Terminal —
 P-Phosphor —
 bronze —
 S-Stamping
 before Plating
 SN-Tin-plated



			GENERAL TOLERANCE			Approved by			Check			Design			Standard			1.5mm TER					
			0 ±0.35			LI			CLYDE			LU			P/N			JVT1505TP-SNS					
			.0 ±0.30			Unit			mm			Scale			1:1			Date					
Version			Content of change			Date			Signature			Date			20190903			Map title					
A			B			C			D			E			F			G			H		

