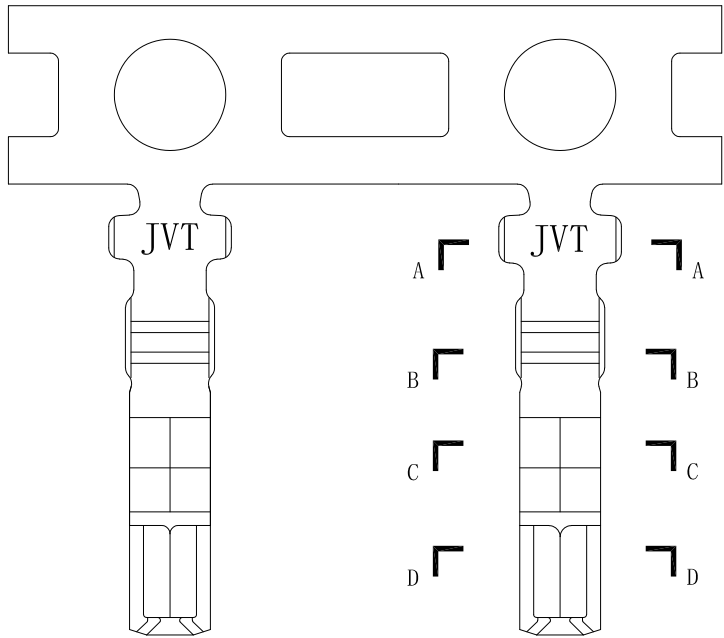
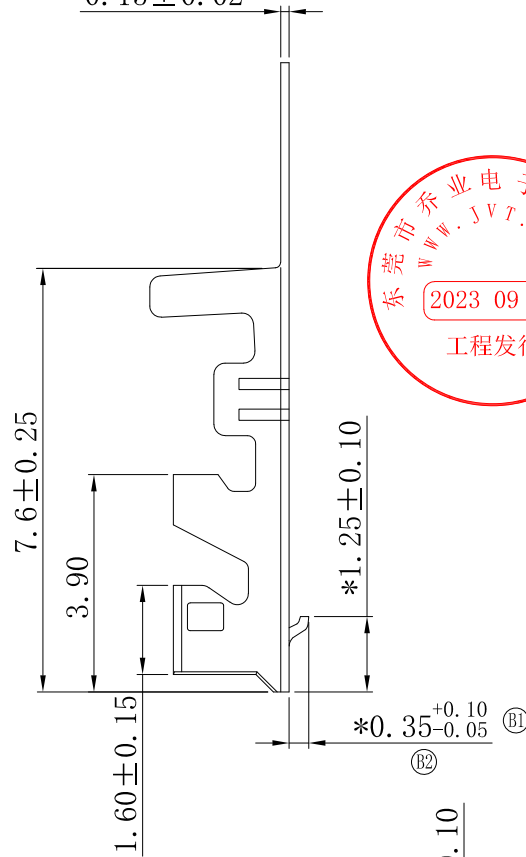


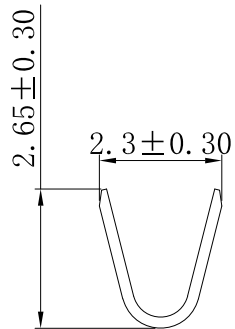
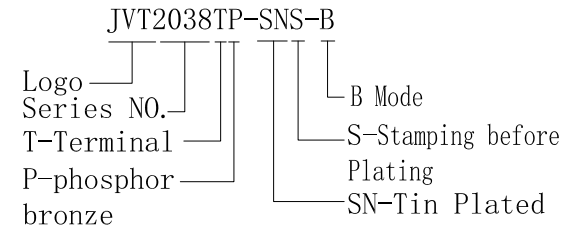
RoHS



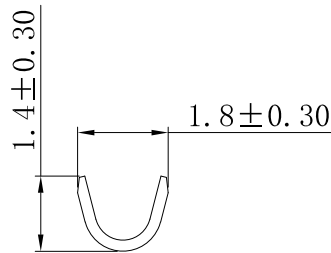
0.15±0.02



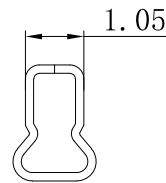
- Terminal
- Material: Phosphor Bronze
  - Finish: Tin-plated
  - Thickness: 0.15mm
  - Wire Range: 22AWG-28AWG
  - O'D: 1.50mm MAX
  - Q'ty: 8,000pcs/reel
  - Salt: 24H
  - Suitable JVT2038H series Housing  
JVT2038W series Wafer
  - \* is the key control size



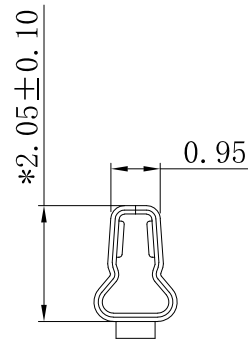
SECTION A-A



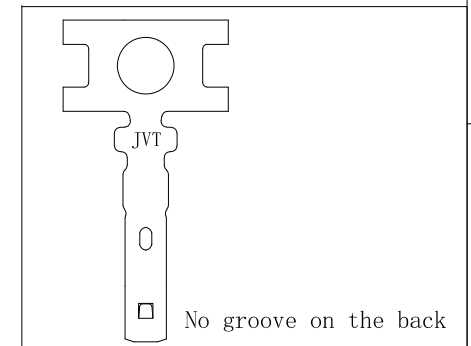
SECTION B-B



SECTION C-C



SECTION D-D



B2	卡勾尺寸加高0.05mm	20230912	CLYDE	GENERAL TOLERANCE	
B1	优化卡勾尺寸, 改善卡扣外翻	20221116	CLYDE	0	±0.35
B	新增包装数量和重点尺寸标注	20200716	CLYDE	.0	±0.30
Version	Content of change	Date	Signature	.00	±0.20
				.000	±0.10



Approved by	Check	Design	Standard	2.0mm TER		
LI	CLYDE	LU	P/N	JVT2038TP-SNS-B		
			Map title	031	Version	B2

A

B

C

D

E

F

G

H