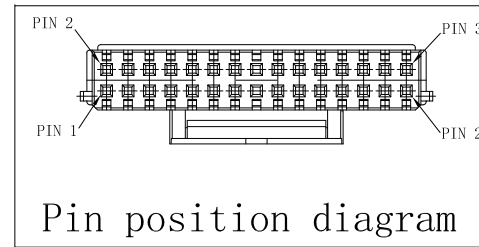
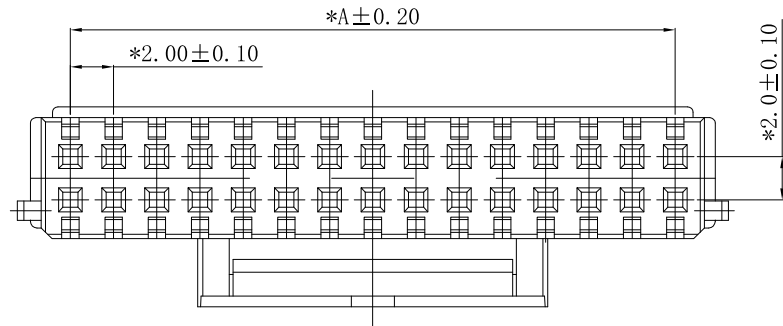


RoHS



■ SPECIFICATIONS :

- Voltage Rating: 250V AC / DC
- Current Rating: 3A AC / DC
- Withstanding Voltage: 1000V AC/minute
- Temperature Range: -40° C~+105° C
- Insulation Resistance: 1000MΩ Min.
- Contact Resistance: 30mΩ Max.
- Suitable JVT2041T series Terminal
JVT2041W series Wafer

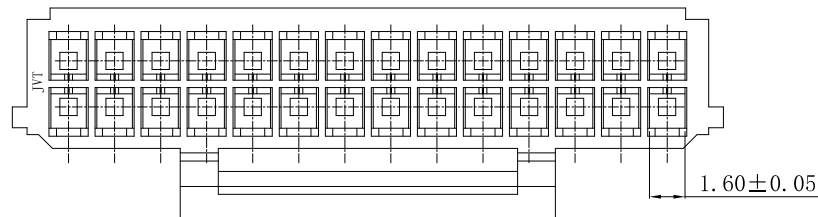
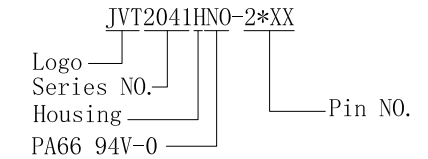
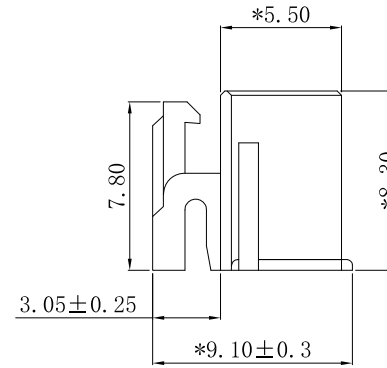
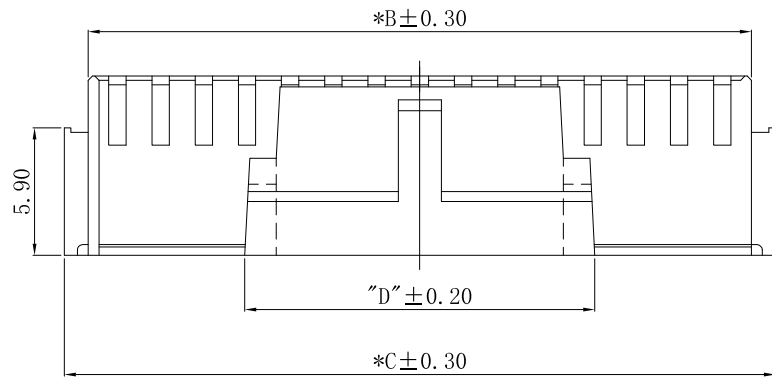
■ Material:

Material: PA66 UL 94V-0
Color:natural color

■ Packing specifications:

4~20P 2,000 pcs/bag
22P above 1,000 pcs/bag

*is the key control size



	A	B	C	D
2*02	2.0	4.6	6.76	3.10
2*03	4.0	6.6	8.76	3.10
2*04	6.0	8.6	10.76	4.30
2*05	8.0	10.6	12.76	5.70
2*06	10.0	12.6	14.76	7.70
2*07	12.0	14.6	16.76	9.70
2*08	14.0	16.6	18.76	11.70
2*09	16.0	18.6	20.76	13.70
2*10	18.0	20.6	22.76	15.70
2*11	20.0	22.6	24.76	15.70
2*12	22.0	24.6	26.76	15.70
2*13	24.0	26.6	28.76	15.70
2*14	26.0	28.6	30.76	15.70
2*15	28.0	30.6	32.76	15.70
2*16	30.0	32.6	34.76	15.70
2*17	32.0	34.6	36.76	15.70
2*18	34.0	36.6	38.76	15.70
2*19	36.0	38.6	40.76	15.70
2*20	38.0	40.6	42.76	15.70
2*21	40.0	42.6	44.76	15.70



				GENERAL TOLERANCE		JVT 乔业连接器		Approved by	Check	Design	Standard	2.0mm HSG	
A		增加PIN孔尺寸		20230711 HUANG		JVT CONNECTORS		LI	CLYDE	LU	P/N	JVT2041HNO-2*XX	
Version		Content of change		Date Signature		CONNECTORS		Unit mm Scale 1:1 Date 20140110		Map title		031	Version A0