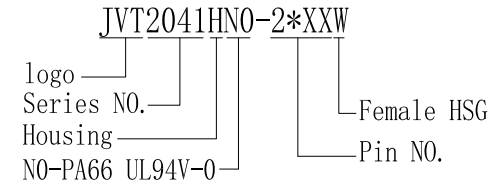
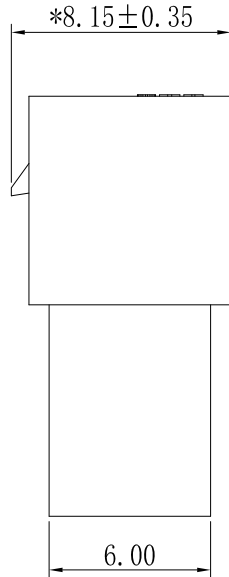
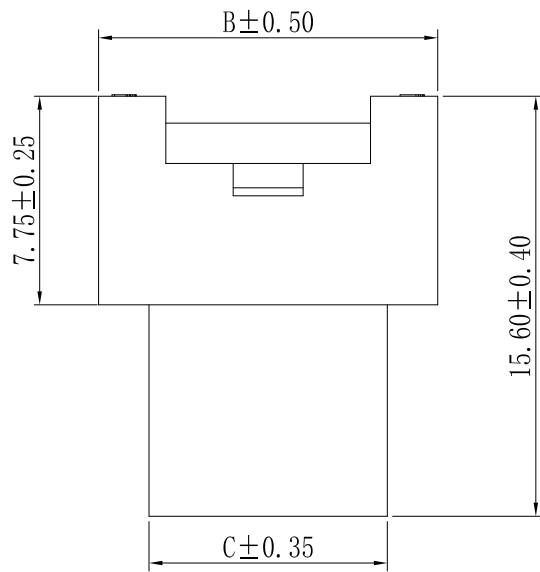
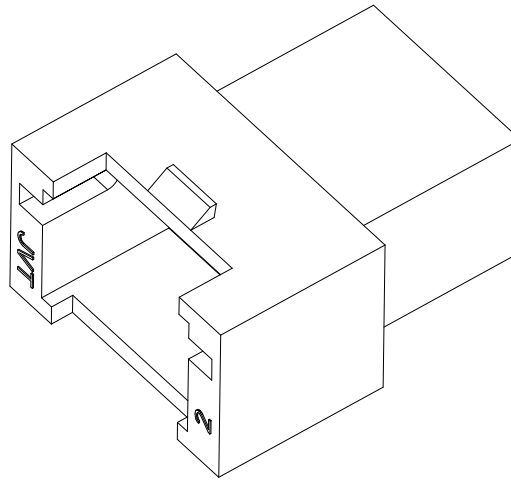
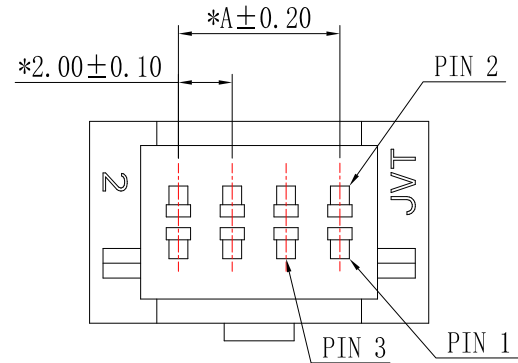


RoHS

- SPECIFICATIONS :**
- Voltage Rating: 250V AC / DC
 - Current Rating: 3A AC / DC
 - Withstanding Voltage: 1000V AC/minute
 - Temperature Range: -40°C~+105°C
 - Insulation Resistance: 1000MΩ Min.
 - Contact Resistance: 30mΩ Max.
 - Suitable JVT2041T-W series Terminal
JVT2041H series Housing

■ Material:
Material: PA66 UL 94V-0
Color:natural color

■ Packing specifications:
2*02~2*05P 2,000 pcs/bag
2*06以上 1,000 pcs/bag
*is the key control size



Poles	Dimensions (mm)			Poles	Dimensions (mm)		
	A	B	C		A	B	C
2*02	2.0	8.6	4.85	2*12	22.0	28.6	24.85
2*03	4.0	10.6	6.85	2*13	24.0	30.6	26.85
2*04	6.0	12.6	8.85	2*14	26.0	32.6	28.85
2*05	8.0	14.6	10.85	2*15	28.0	34.6	30.85
2*06	10.0	16.6	12.85	2*16	30.0	36.6	32.85
2*07	12.0	18.6	14.85	2*17	32.0	38.6	34.85
2*08	14.0	20.6	16.85	2*18	34.0	40.6	36.85
2*09	16.0	22.6	18.85	2*19	36.0	42.6	38.85
2*10	18.0	24.6	20.85	2*20	38.0	44.6	40.85
2*11	20.0	26.6	22.85				

Version		Content of change		Date	Signature			Unit	mm	Scale	1:1	Date	20180315	Approved by	LI	Check	CLYDE	Design	LU	Standard	2.0mm Female HSG Printing"JVT"		
																		P/N		JVT2041HNO-2*XXW			
																		Map title		031	Version	A0	

