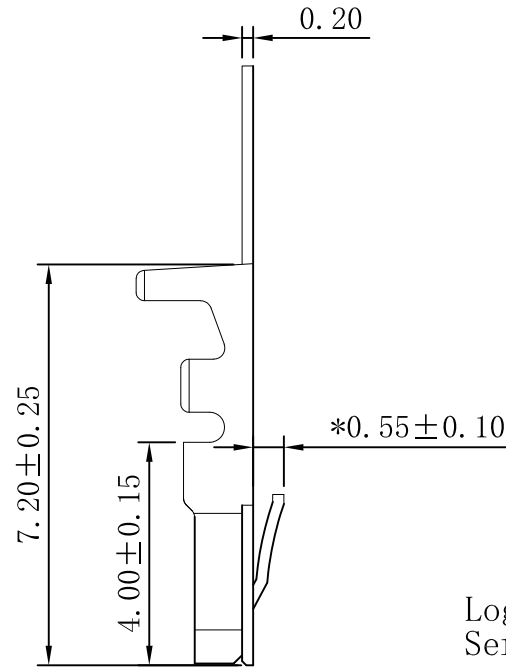
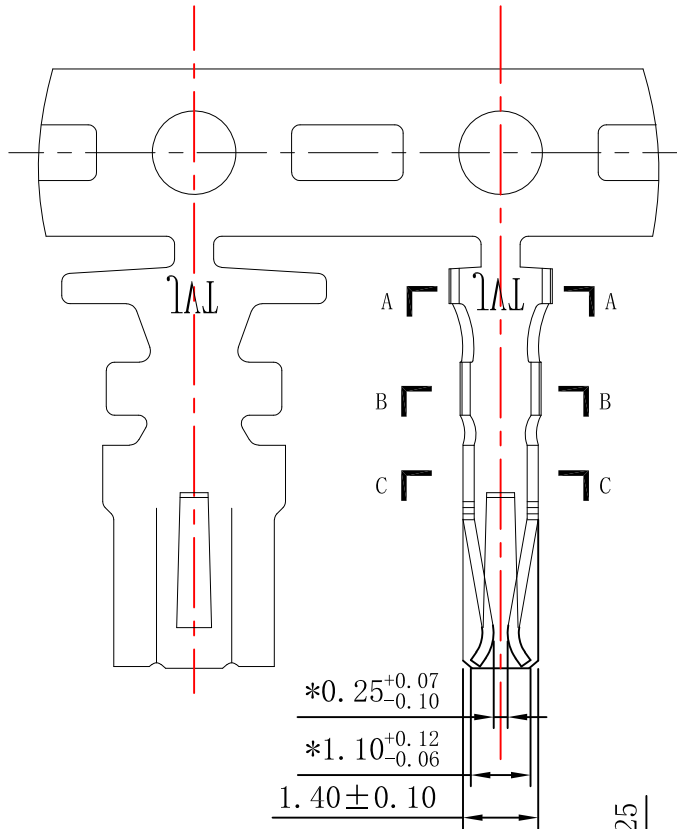


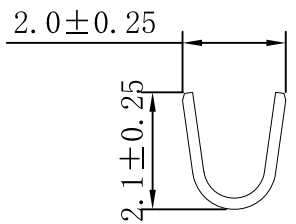
RoHS



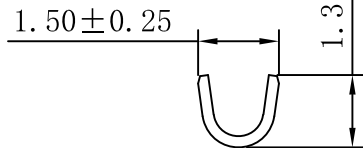
Terminal

- Material: Phosphor Bronze
- Finish: Tin-plated
- Thickness: 0.20mm
- Wire Range: 24AWG-28AWG
- O'D: 1.40mm MAX
- Q'ty: 10,000pcs/reel
- Salt fog: 24H
- Suitable JVT2041H series Housing  
JVT2041W series Wafer
- \* is the key control size

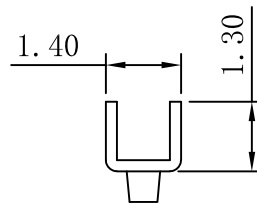
JVT2041TP-SNS  
 Logo—  
 Series NO.—  
 T-Terminal—  
 P-phosphor—  
 bronze—  
 S-Stamping before  
 Plating  
 Tin Plated



SECTION A-A



SECTION B-B



SECTION C-C



				GENERAL TOLERANCE		JVT 乔业连接器 JVT CONNECTORS		Approved by	Check	Design	Standard	2.0mm TER		
				0 ±0.35		LI		LI	CLYDE	LU	P/N	JVT2041TP-SNS		
				.0 ±0.30		Unit		mm	Scale	1:1	Date	031	Version	B
Version		Content of change		Date	Signature	Clyde		20200716		20140318				

A

B

C

D

E

F

G

H