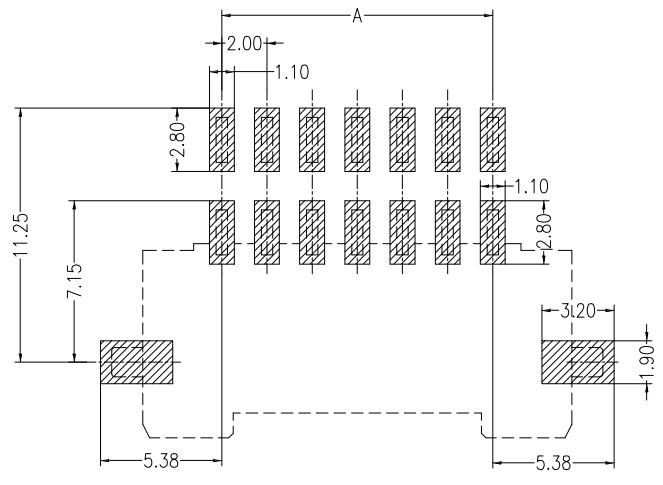
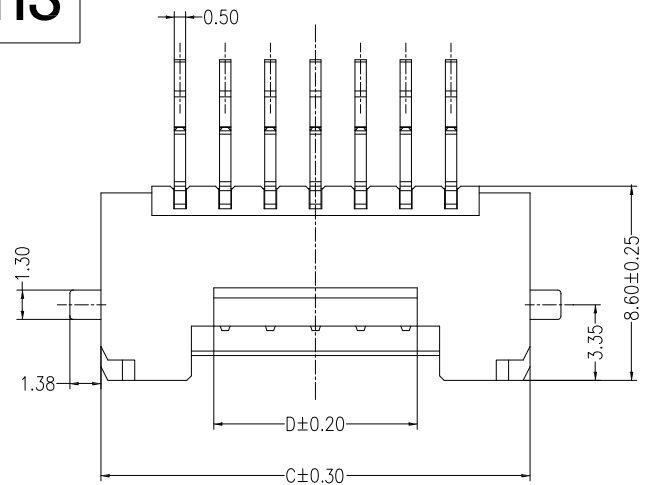


RoHS

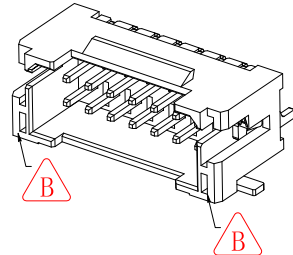
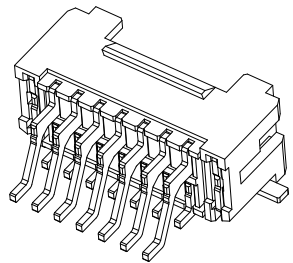
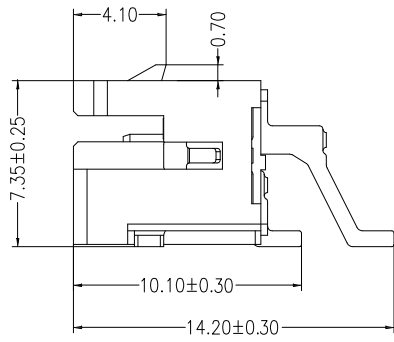
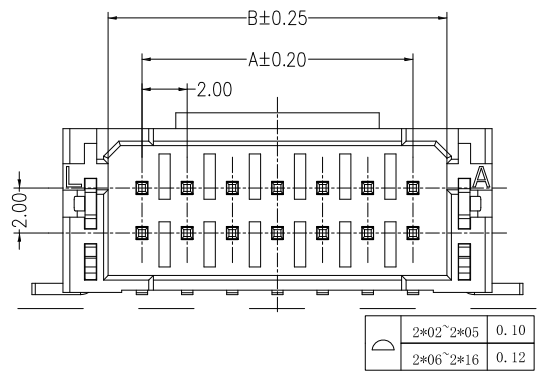
**SPECIFICATIONS**  
 Voltage rating: 250V AC,  
 Current Rating: 3A, AC, DC  
 Withstand voltage: 1000V AC/minute  
 Insulation resistance: 1000MΩ min  
 Contact resistance: 30mΩ Max  
 Temperature range: -40° C ~ +105° C

Housing :LCP UL94V-0 , BEIGE  
 Contacts :Brass /Matte Tin plating  
 Solder Tabs :Brass /Matte Sn-plated

JVT2041WLP-2\*XXSWR-S  
 Logo  
 Series NO.  
 Wafer  
 LCP UL94V-0  
 SMT  
 R-90°  
 SW-Matte Tin plating  
 Pin NO.



PCB LAYOUT(Tolerance:±0.05)



Poles	Dimensions			
	A	B	C	D
2*02	2.00	5.00	9.00	3.00
2*03	4.00	7.00	11.00	3.00
2*04	6.00	9.00	13.00	3.00
2*05	8.00	11.00	15.00	5.00
2*06	10.00	13.00	17.00	7.00
2*07	12.00	15.00	19.00	9.00
2*08	14.00	17.00	21.00	11.00
2*09	16.00	19.00	23.00	13.00
2*10	18.00	21.00	25.00	15.00
2*11	20.00	23.00	27.00	17.00
2*12	22.00	25.00	29.00	19.00
2*13	24.00	27.00	31.00	21.00
2*14	26.00	29.00	33.00	23.00
2*15	28.00	31.00	35.00	25.00
2*16	30.00	33.00	37.00	27.00

				GENERAL TOLERANCE		<b>乔业连接器</b> <b>JVT CONNECTORS</b>				Approved by	Check	Design	Standard	2.0mm 90° WAFER SMT													
B		改善侧壁强度		20231102						CLYDE		LI		CLYDE		LU		P/N		JVT2041WLP-2*XXSWR-S							
Version		Content of change		Date		Signature		Unit		mm		Scale		1:1		Date		20210922		Map title		141		Version		B	