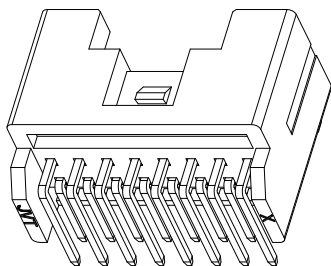
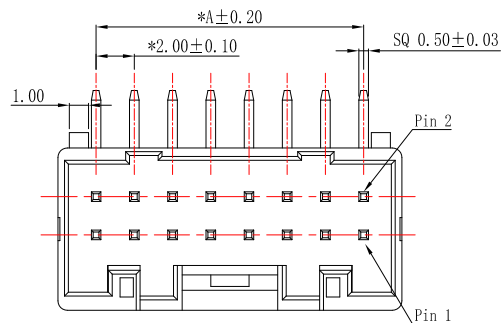


RoHS

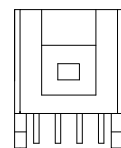
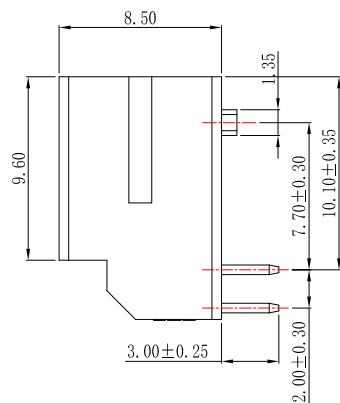
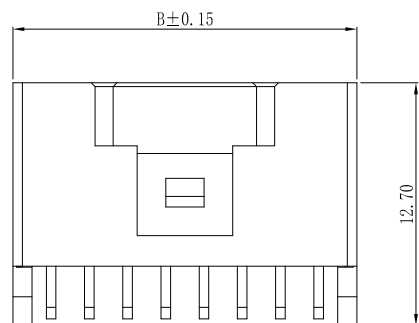


Specifications

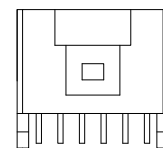
- Voltage rating: 250V AC/ DC
- Current rating: 3A AC/ DC
- Withstanding Voltage: 800V AC/minute.
- Insulation resistance: 1000MΩ Min.
- Temperature range: -40°C ~ +105°C
- Contact resistance: 20mΩ Max.

Wafer

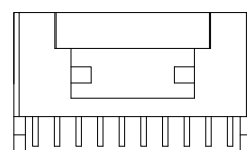
- Material: PA46 UL 94V-0 (Beige)
- Pin: Brass/Tin-Plated



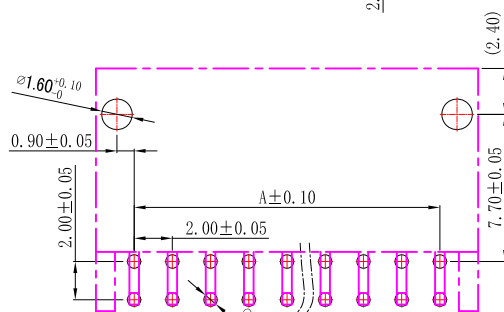
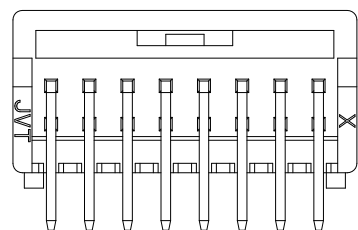
04P~10P



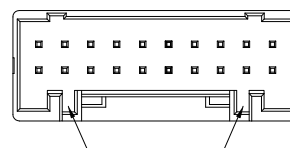
12P~18P



20P~40P



P. C. B LAYOUT



04P~10P Without Guideway
12P~40P With Guideway
Scale: 1/0.4

JVT2060W46-2*XXSNRP-D

Logo
Series NO.
WAFER
46-PA46 UL94V-0
Pin NO.

D-DIP
P-With boss
Right Angle 90°
Tin Plated

| CKL | A | B | CKL | A | B |
|------|-------|-------|------|-------|-------|
| 2*02 | 2.00 | 6.00 | 2*12 | 22.00 | 26.00 |
| 2*03 | 4.00 | 8.00 | 2*13 | 24.00 | 28.00 |
| 2*04 | 6.00 | 10.00 | 2*14 | 26.00 | 30.00 |
| 2*05 | 8.00 | 12.00 | 2*15 | 28.00 | 32.00 |
| 2*06 | 10.00 | 14.00 | 2*16 | 30.00 | 34.00 |
| 2*07 | 12.00 | 16.00 | 2*17 | 32.00 | 36.00 |
| 2*08 | 14.00 | 18.00 | 2*18 | 34.00 | 38.00 |
| 2*09 | 16.00 | 20.00 | 2*19 | 36.00 | 40.00 |
| 2*10 | 18.00 | 22.00 | 2*20 | 38.00 | 42.00 |
| 2*11 | 20.00 | 24.00 | | | |

| Version | Content of change | Date | Signature | Unit | mm | Scale | 1:1 | Date | 20220123 | Approved by | Check | Design | Standard | 2.0mm DIP 90° WAFER |
|---------|-------------------|------|-----------|------|----|-------|-----|------|----------|-------------|-------|--------|-----------|-----------------------|
| | | | | | | | | | | LI | CLYDE | LU | P/N | JVT2060W46-2*XXSNRP-D |
| | | | | | | | | | | | | | Map title | 031 |
| | | | | | | | | | | | | | Version | A0 |