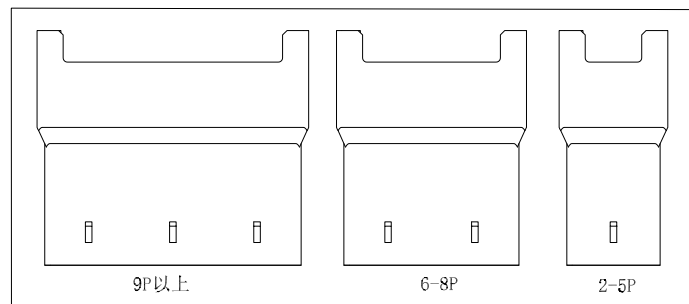
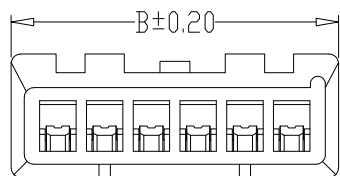
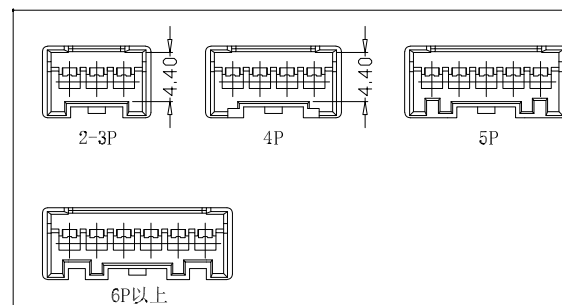
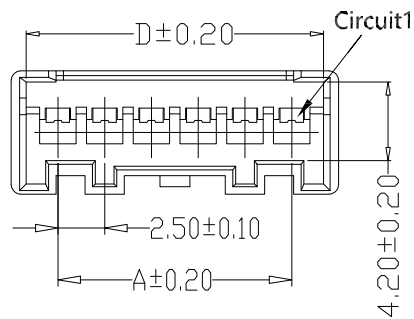
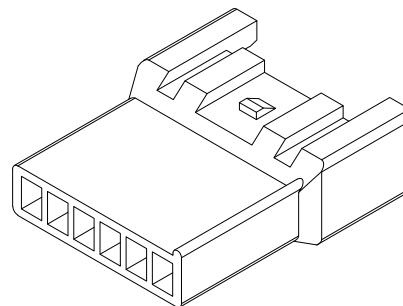
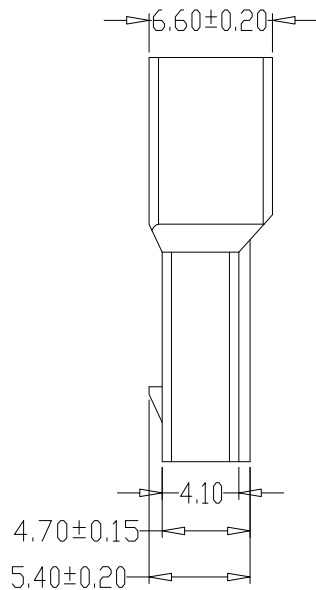
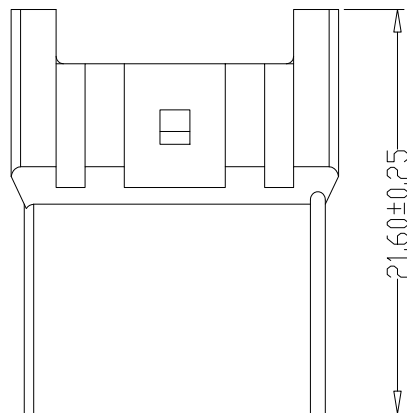


RoHS



卡点结构示意图



卡槽结构示意图

■ SPECIFICATIONS

- Voltage Rating: 250V AC / DC
- Current Rating: 3A AC / DC
- Withstanding Voltage: 1000V AC/minute
- Temperature Range: -40° C~+105° C
- Insulation Resistance: 1000MΩ Min.
- Contact Resistance: 20mΩ Max.

■ Material

- Material: PA66 UL 94V-0
- Color:natural color

JVT2508HNO-XXW-LG
 Logo Series NO. Housing PA66 UL94V-0
 LG-Long
 W-Female HSG
 Pin NO.

PIN	尺寸 (mm)			
	A	B	C	D
02	2.50	7.50	6.10	6.00
03	5.00	10.00	8.60	8.50
04	7.50	12.50	11.10	11.00
05	10.00	15.00	13.60	13.50
06	12.50	17.50	16.10	16.00
07	15.00	20.00	18.60	18.50
08	17.50	22.50	21.10	21.00
09	20.00	25.00	23.60	23.50
10	22.50	27.50	26.10	26.00
11	25.00	30.00	28.60	28.50
12	27.50	32.50	31.10	31.00
13	30.00	35.00	33.60	33.50
14	32.50	37.50	36.10	36.00
15	35.00	40.00	38.60	38.50



Version		Content of change		Date	Signature	GENERAL TOLERANCE 0 ±0.35 .0 ±0.30 .00 ±0.20 .000 ±0.10		JVT 乔业连接器 JVT CONNECTORS			Approved by	Check	Design	Standard	2.5mm Female HSG Long			
						Unit	mm	Scale	1:1	Date	20211201	LI	CLYDE	HUANG	P/N	JVT2508HNO-XXW-LG		
															Map title	237	Version	A0