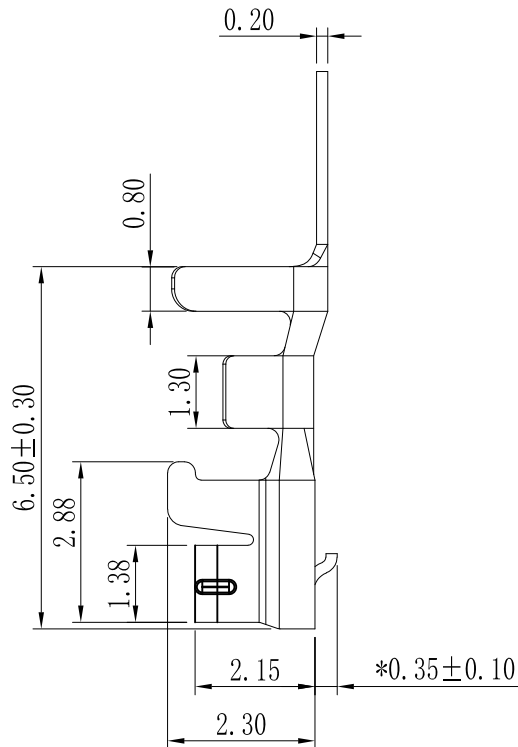
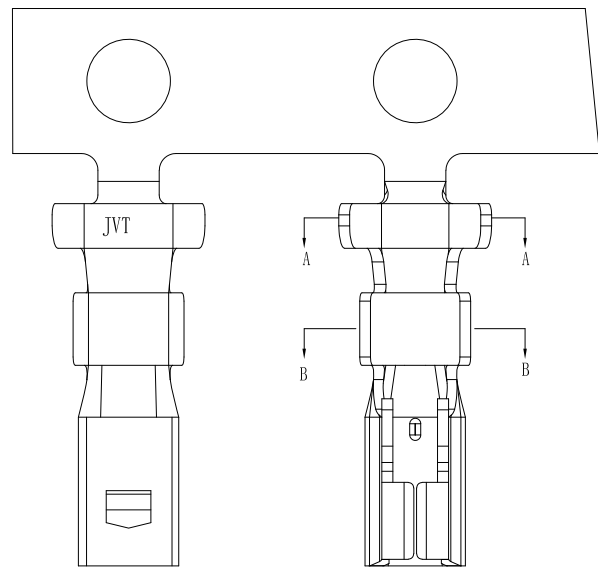
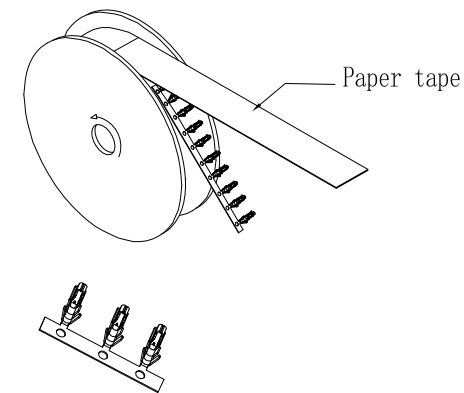
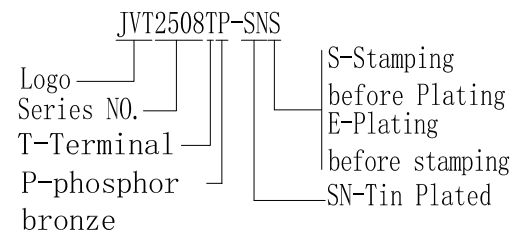


RoHS

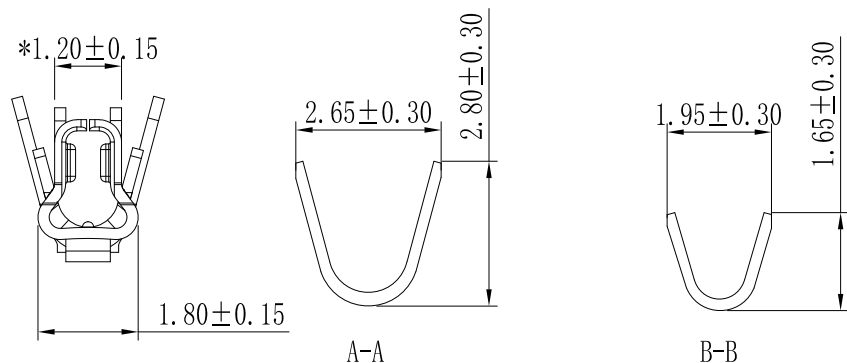


Terminal

- Material: Phosphor Bronze
- Finish: Tin-plated
- Thickness: 0.20mm
- Wire Range: 20AWG-28AWG
- O' D: 1.5~1.9mm MAX
- Q' ty: 10,000pcs/reel
- Salt: 24H
- Suitable JVT2508H series Housing
JVT2508W series Wafer
- * is the key control size



Closing diagram



Version		Content of change		Date	Signature	<p>GENERAL TOLERANCE</p> <p>0 ±0.35</p> <p>.0 ±0.30</p> <p>.00 ±0.20</p> <p>.000 ±0.10</p>		<p>JVT 乔业连接器</p> <p>JVT CONNECTORS</p>			Approved by	Check	Design	Standard	2.50mm TER		
		New packaging quantity and key dimension marking		20200716	CLYDE						LI	CLYDE	LU	P/N	JVT2508TP-SNS		
		Riveted copper core parts pressurized gold		20150720	CLYDE									Map title	031	Version	C

A B C D E F G H