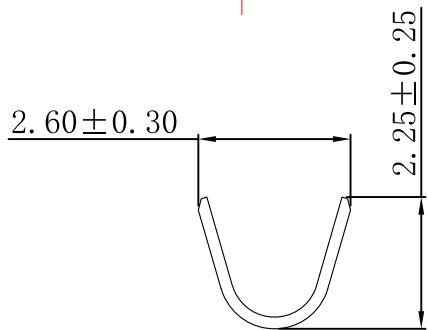
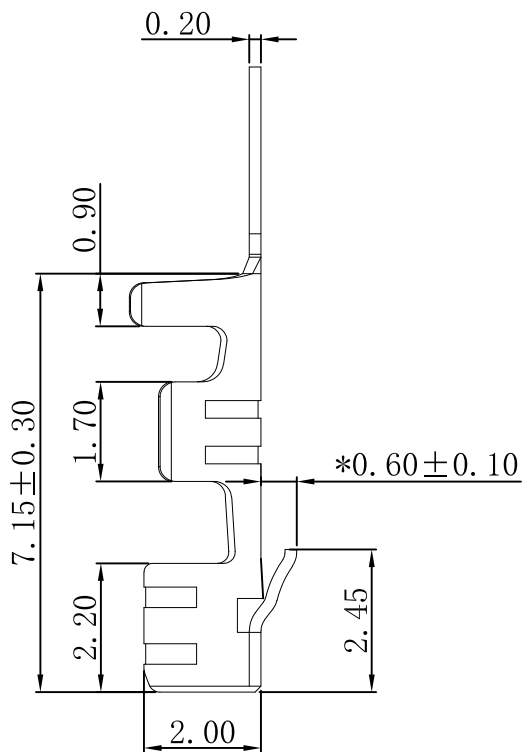
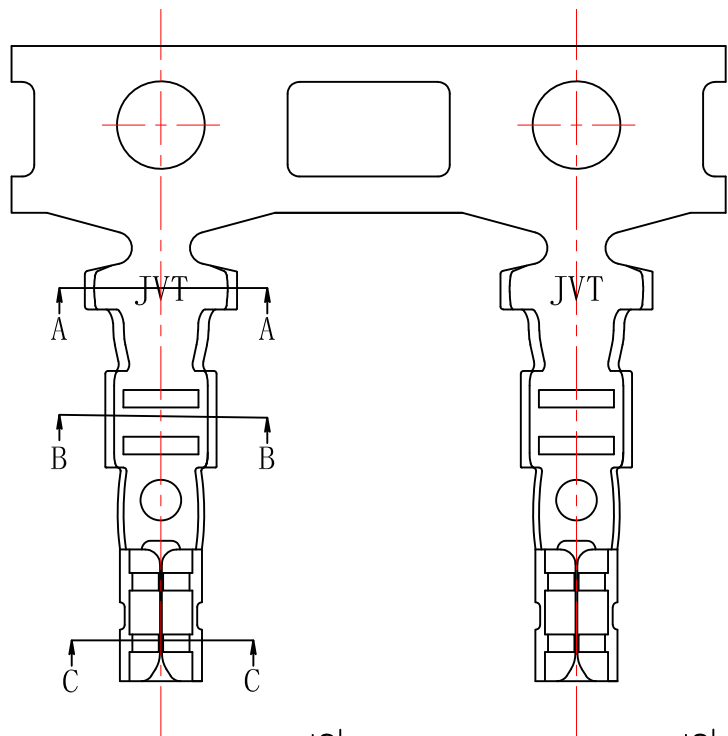
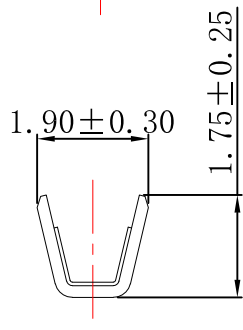


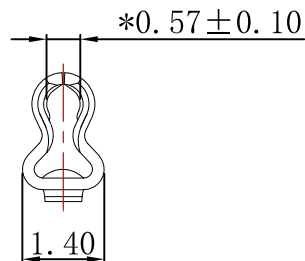
RoHS



SEC: A-A



SEC: B-B



SEC: C-C

Terminal

- Material: Phosphor Bronze
- Finish: Tin-plated
- Thickness: 0.20mm
- Wire Range: 22AWG-28AWG
- O' D: 1.90mm MAX
- Q' ty: 10,000pcs/reel
- Salt: 24H
- Suitable JVT1135H series Housing  
JVT1136W series Wafer
- \* is the key control size

JVT1135TP-SNS

Logo  
Series NO.  
T-Terminal  
P-Phosphor bronze

S-Stamping before Plating  
SN-Tin Plated



CI	增加料带强度, 取消缺口	20220826	CLYDE	<b>GENERAL TOLERANCE</b> 0 ±0.35 .0 ±0.30 .00 ±0.20 .000 ±0.10
C	料带追加方孔图示, 与实物一致	20220726	CLYDE	
B	新增包装数量和关键尺寸	20200716	CLYDE	
Version	Content of change	Date	Signature	

**JVT** 乔业连接器  
**JVT CONNECTORS**

Unit: mm Scale: 1:1 Date: 20220726

Approved by	Check	Design	Standard	2.5mm TER		
LI	CLYDE	LU	P/N	JVT1135TP-SNS		
			Map title	031	Version	CI