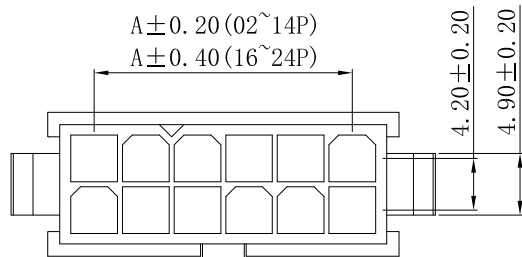


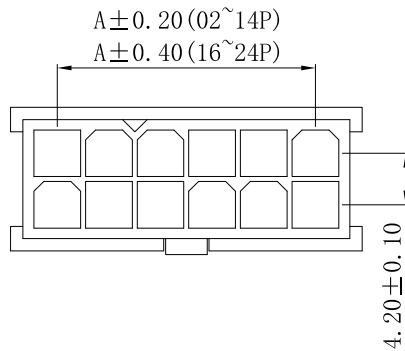
RoHS



有翅



无翅

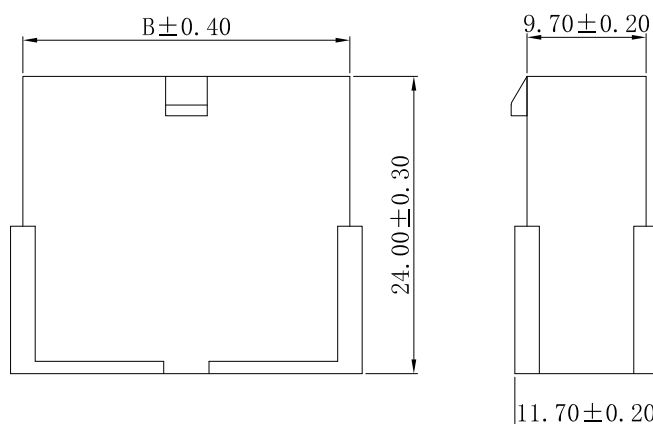
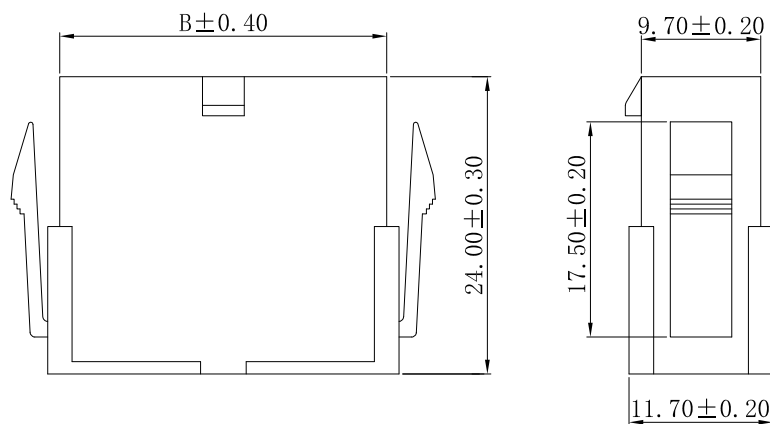
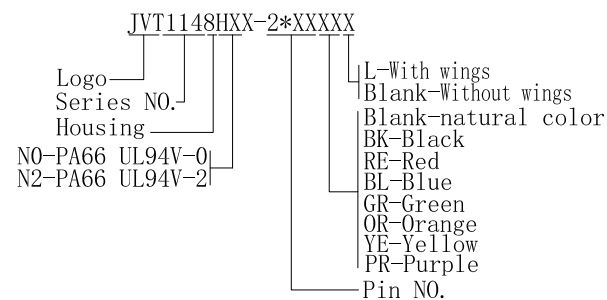


■ SPECIFICATION

- Voltage rating: 600V AC, DC
- Current Rating: 7A, AC, DC
- Withstand voltage: 1500V AC/minute
- Contact resistance: 20mΩ max
- Insulation resistance: 1000MΩ min
- Temperature range: -40° C ~ +105° C

■ HOUSING

- Material: Nylon 66 UL 94V-2/0
- Mates With Part(s): JVT1148 Terminal



PART NO	Dimensions (mm)	
	A	B
2*01	---	5.60
2*02	4.20	9.80
2*03	8.40	14.00
2*04	12.60	18.20
2*05	16.80	22.40
2*06	21.00	26.60
2*07	25.20	30.80
2*08	29.40	35.00
2*09	33.60	39.20
2*10	37.80	43.40
2*11	42.00	47.60
2*12	46.20	51.80

GENERAL TOLERANCE	
0	±0.35
.0	±0.30
.00	±0.20
.000	±0.10



Approved by	Check	Design	Standard	4.2mm Female HSG			
LI	CLYDE	LU	P/N	JVT1148HXX-2*XXXXX			
Version	Content of change	Date	Signature	Map title	044	Version	A1

1

2

3

4

1

2

3

4