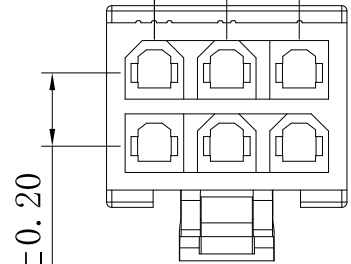
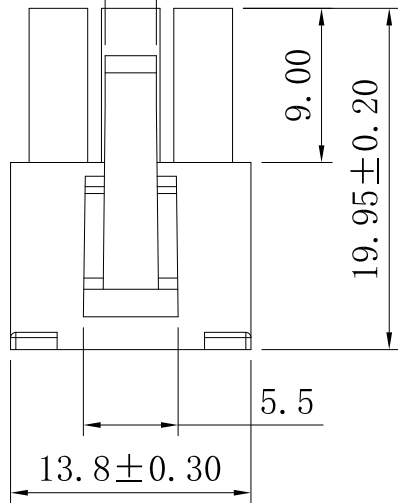


RoHS

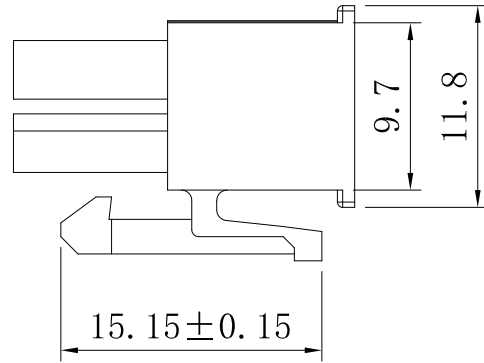
8.40 ± 0.20  
4.20 ± 0.20



4.20 ± 0.20  
3.0

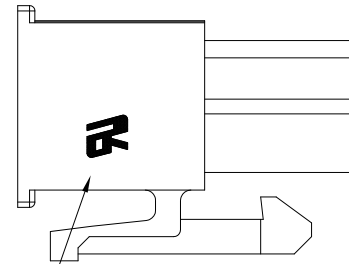


9.00  
19.95 ± 0.20  
5.5  
13.8 ± 0.30

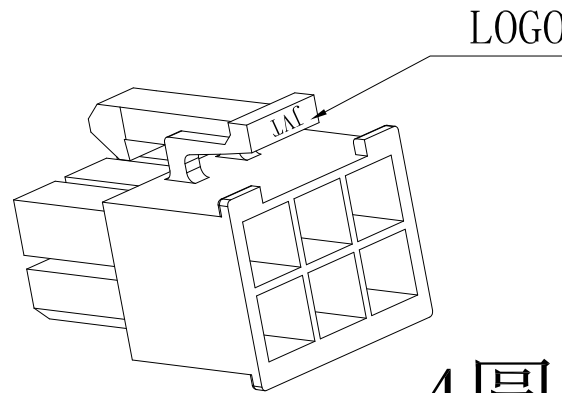


15.15 ± 0.15

9.7  
11.8



此标记因模具结构原因，在产品上存在“一左一右”。

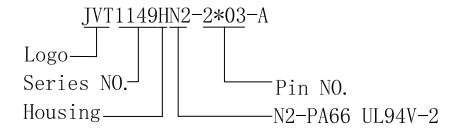


4圆2方

- SPECIFICATIONS :
  - Voltage Rating: 600V AC / DC
  - Current Rating: 7A AC / DC
  - Withstanding Voltage: 1500V AC/minute
  - Temperature Range: -40°C~+105°C
  - Insulation Resistance: 1000MΩ Min.
  - Contact Resistance: 20mΩ Max.
  - \*Suitable JVT1149T series Terminal
  - JVT1150W series Wafer

■ \*Material:  
Material: PA66 UL 94V-2  
Color:natural color

■ Packing specifications:  
2\*03P 1,000 pcs/bag



			GENERAL TOLERANCE			Approved by			Check	Design	Standard	4.2mm DUAL ROW Male HSG 4圆2方		
			0	±0.35	乔业连接器 JVT CONNECTORS CONNECTORS			LI	CLYDE	LU	P/N	JVT1149HN2-2*03-A		
			.0	±0.30				Map title	031	Version	A0			
			.00	±0.20										
Version	Content of change	Date	Signature	Unit	mm	Scale	1:1	Date	20180612					

A

B

C

D

E

F

G

H