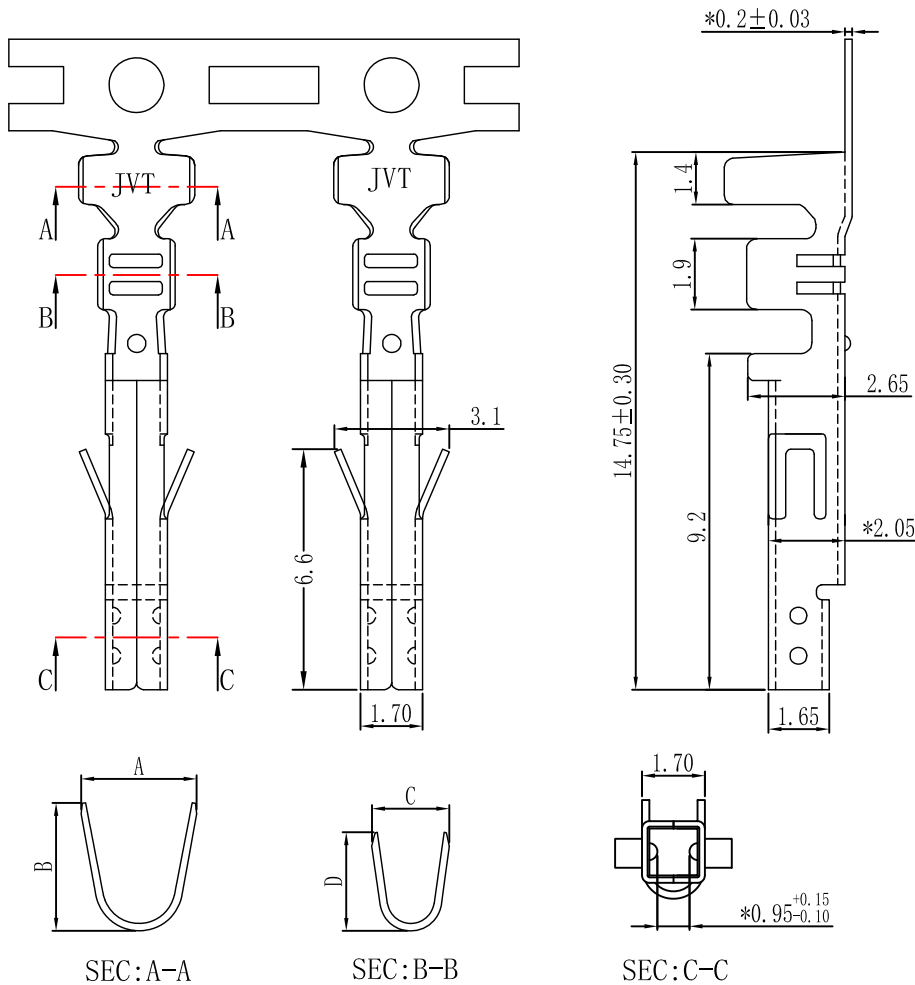
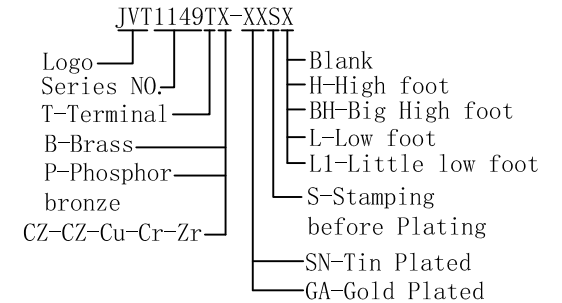


RoHS



Terminal

- Material: Brass or Phosphor Bronze or CZ-Cu-Cr-Zr
 - Finish: Tin/Gold-plated
 - Thickness: 0.20mm
 - Wire Range: 16~28AWG
 - O' D: 2.80mm MAX
 - Salt fog: 24H
 - *Suitable JVT1149H series Housing JVT1150W series Wafer
- * is the key control size



| | | | | | | | | | |
|-----------------|-------------------------------------|---------------------------|------------|------------------|-----|-----|------|-----|--------------|
| JVT1149TX-XXS | Brass Phos Bronze CZ-Cu-Cr-Zr | Tin Plated Gold Plated | AWG#18~22 | 2.00mm (Max) | 3.3 | 3.6 | 1.95 | 2.3 | 4000Pcs |
| JVT1149TX-XXSH | | | AWG#16~20 | 2.80mm (Max) | 3.6 | 4.1 | 2.1 | 2.7 | 4000Pcs |
| JVT1149TX-XXSBH | | | AWG#16~18 | - | 3.6 | 4.3 | 2.4 | 3.4 | 4000Pcs |
| JVT1149TX-XXSL | | | AWG#18~24 | 1.80mm (Max) | 3.1 | 2.7 | 2.25 | 2.7 | 10000Pcs |
| JVT1149TX-XXSL1 | | | AWG#26~28 | 1.00mm (Max) | 2.0 | 1.8 | 1.4 | 1.2 | 10000Pcs |
| PART NO | Material | Finish (Pin) | Wire Range | Insulation O. D. | A | B | C | D | Q' ty (Reel) |

| | | | | | | | | | | | | | | | |
|---------|--|---|--|----------|-----------|-------------------|-------------|------------------------------|----|-------------|-------|-----------|----------------|-------------------|---|
| Version | | Content of change | | Date | Signature | GENERAL TOLERANCE | | JVT 乔业连接器 JVT CONNECTORS® | | Approved by | Check | Design | Standard | 4.20mm Female TER | |
| | | Newly added packaging quantity and key dimensions | | 20200715 | CLYDE | 0 ±0.35 | www.jvt.com | | LI | CLYDE | LU | P/N | JVT1149TX-XXSX | | |
| | | | | | | .0 ±0.30 | 2020.07.15 | | | | | Map title | 031 | Version | B |
| | | | | | | .00 ±0.20 | 20200715 | | | | | | | | |
| | | | | | | .000 ±0.10 | | | | | | | | | |