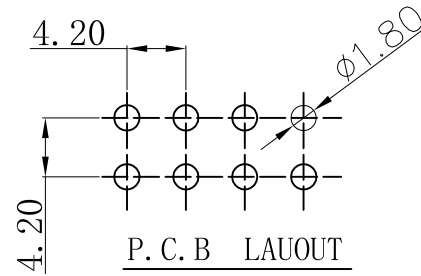
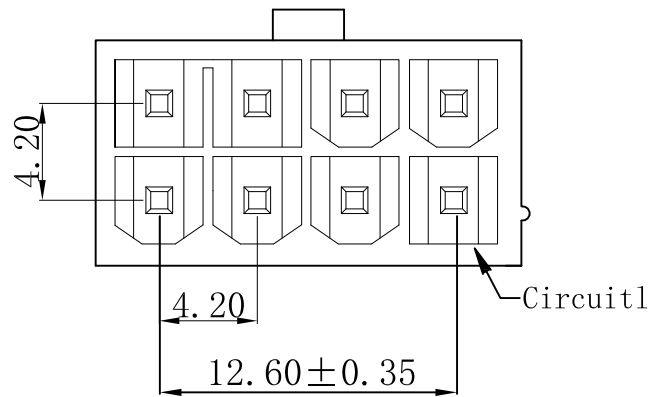


RoHS

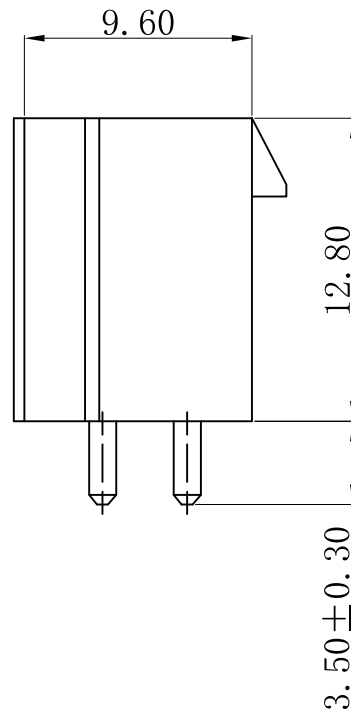
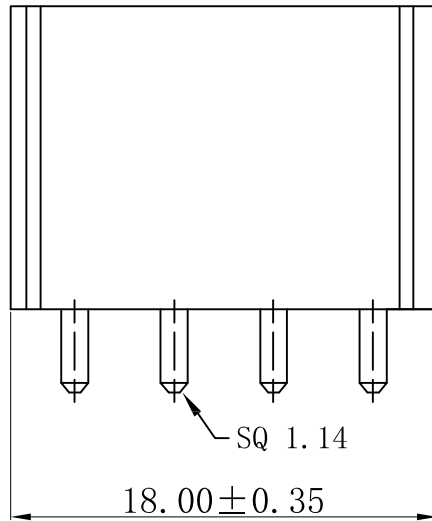
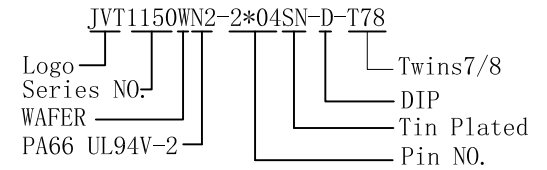


**SPECIFICATION**

- Voltage rating: 600V AC, DC
- Current Rating: 7A, AC, DC
- Withstand voltage: 1500V AC/minute
- Contact resistance: 20mΩ max
- Insulation resistance: 1000MΩ min
- Temperature range: -40° C ~ +105° C

**WAFER**

- Material: Base: Nylon 66 UL94V-2  
pin: Brass Tin-plated



|         |  |  |                   |  |  |             |  |  |       |  |           |          |          |     |                         |      |  |
|---------|--|--|-------------------|--|--|-------------|--|--|-------|--|-----------|----------|----------|-----|-------------------------|------|--|
|         |  |  | GENERAL TOLERANCE |  |  | Approved by |  |  | Check |  | Design    |          | Standard |     | 4.2mm WAFER             |      |  |
|         |  |  | 0 ±0.35           |  |  | LI          |  |  | CLYDE |  | LU        |          | P/N      |     | JVT1150WN2-2*04SN-D-T78 |      |  |
|         |  |  | .0 ±0.30          |  |  | Date        |  |  | Date  |  | Map title |          | 010      |     | Version                 |      |  |
| Version |  |  | Content of change |  |  | Signature   |  |  | Unit  |  |           | Scale    |          | 1:1 |                         | Date |  |
|         |  |  | .00 ±0.20         |  |  | Date        |  |  | Date  |  |           | 20180426 |          |     |                         |      |  |
|         |  |  | .000 ±0.10        |  |  | Date        |  |  | Date  |  |           | 20180426 |          |     |                         |      |  |



1

2

3

4

1

2

3

4

A

B

C

D

E

F

G

H