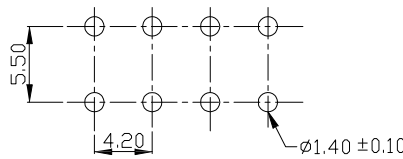
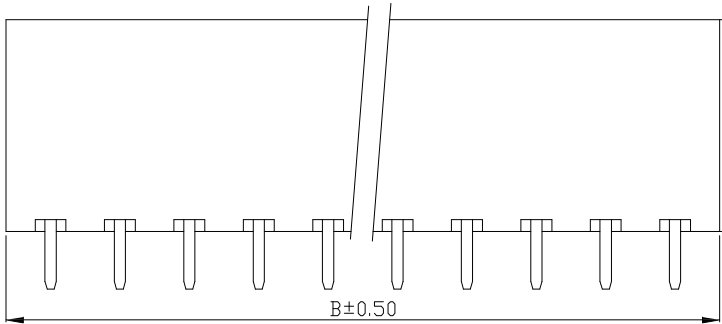
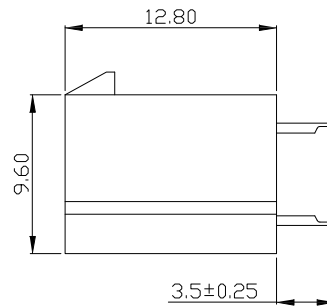
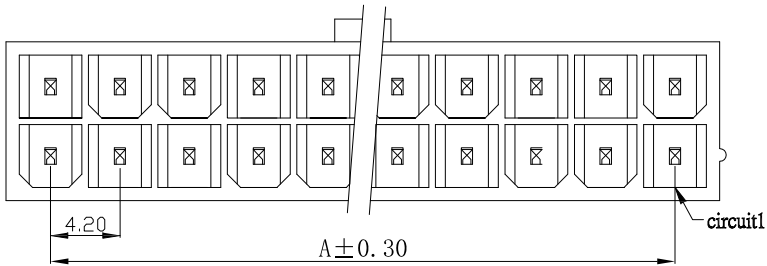


RoHS



P.C.B. LAYOUT

■ SPECIFICATIONS

- Voltage rating: 600V AC/DC
- Current rating: 7A AC/DC
- Withstanding Voltage: 1500V AC/minute
- Insulation resistance: 1000MΩ Min.
- Temperature range: -40℃ ~ +105℃
- Contact resistance: 20mΩ Max.

■ HOUSING

- Material: PA66 UL 94V-2
- pin: Brass Tin-plated

JVT1151WN2-2*XXSN-D
 Logo
 Series NO.
 Wafer
 PA66 UL94V-2
 DIP
 Tin Plated
 Pin NO.



Poles	Dimensions (mm)		Poles	Dimensions (mm)	
	A	B		A	B
2x01	--	5.60	2x07	25.20	30.80
2x02	4.20	9.80	2x08	29.40	35.00
2x03	8.40	14.00	2x09	33.60	39.20
2x04	12.60	18.20	2x10	37.80	43.40
2x05	16.80	22.40	2x11	42.00	47.60
2x06	21.00	26.60	2x12	46.20	51.80

Version		Content of change		Date	Signature	GENERAL TOLERANCE 0 ±0.35 .0 ±0.30 .00 ±0.20 .000 ±0.10		JVT 乔业连接器 JVT CONNECTORS CONNECTORS®			Approved by	Check	Design	Standard	4.2mm WAFER 空心针			
						Unit	mm	Scale	1:1	Date	20180426	LI	CLYDE	LU	P/N	JVT1151WN2-2*XXSN-D		
															Map title	010	Version	A0

A B C D E F G H