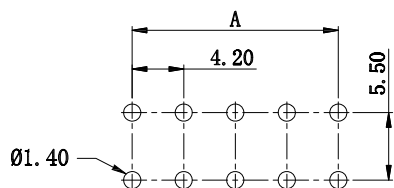
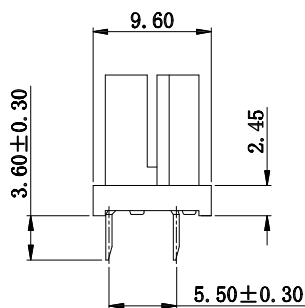
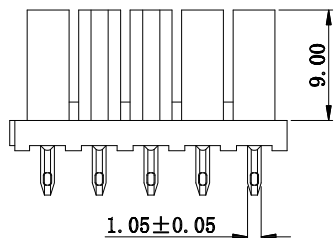
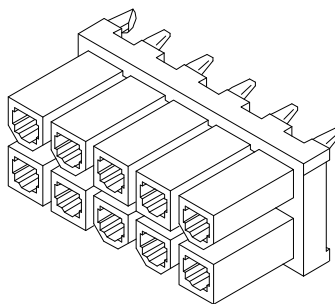
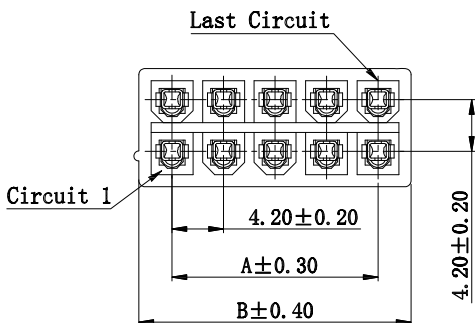


RoHS



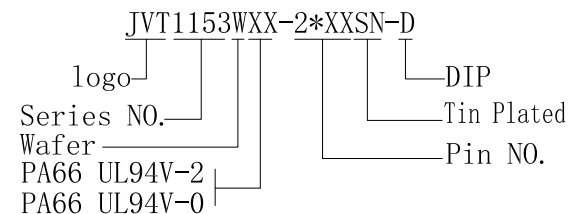
PCB LAYOUT: Component Side
Recommended PCB Thickness 1.78MAX

■ SPECIFICATION

- Voltage rating: 600V AC, DC
- Current Rating: 7A, AC, DC
- Withstand voltage: 1500V AC/minute
- Contact resistance: 20mΩ max
- Insulation resistance: 1000MΩ min
- Temperature range: -40° C ~ +105° C

■ WAFER

- Material: Base: Nylon 66 UL94V-2/0
pin: Phosphor Bronze Tin-plated



PART NO.	Dimensions(mm)	
	A	B
2x01	/	5.40
2x02	4.20	9.60
2x03	8.40	13.80
2x04	12.60	18.00
2x05	16.80	22.20
2x06	21.00	26.40
2x07	25.20	30.60
2x08	29.40	34.80
2x09	33.60	39.00
2x10	37.80	43.20
2x11	42.00	47.40
2x12	46.20	51.60



				GENERAL TOLERANCE		JVT 乔业连接器 JVT CONNECTORS		Approved by	Check	Design	Standard	4.2mm WAFER 180°			
				0 ±0.35		CONNECTORS		LI	CLYDE	LU	P/N	JVT1153WXX-2*XXSN-D			
				.0 ±0.30							Map title	011	Version	A0	
Version	Content of change	Date	Signature	Unit	mm	Scale	1:1	Date	20210922						
A		B		C		D		E		F		G		H	