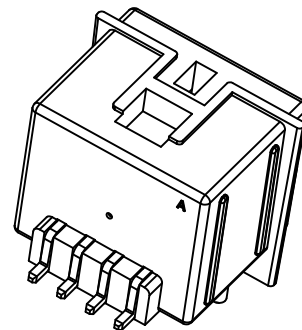
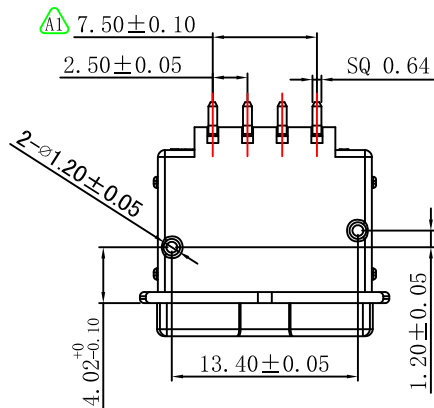
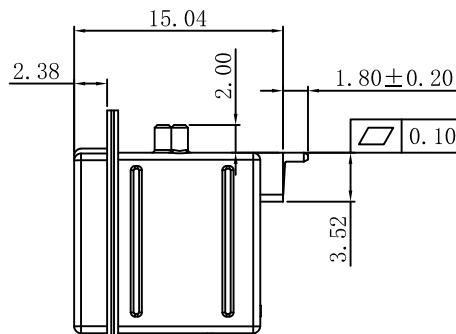
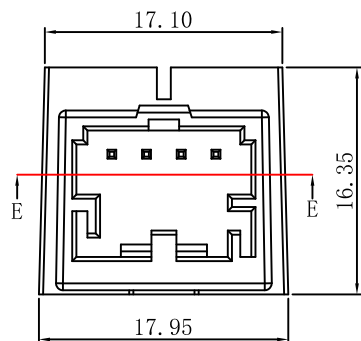


RoHS



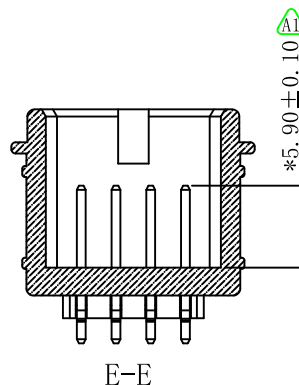
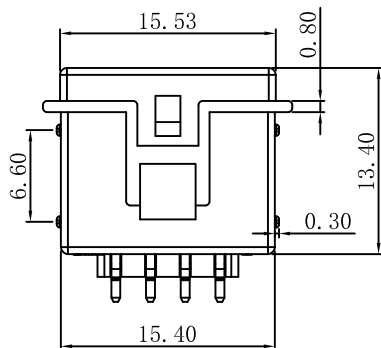
- WAFER
- Material : PA9T UL94-V0 (Black)
- PIN : Brass Tin-plated
- \* is the key control size



JVT2575W9T-04SNBKR-S

Logo  
Series NO.  
WAFER  
PA9T UL94V-0

SMT  
R-90°  
BK-Black  
SN-Tin-plated  
Pin No.



			GENERAL TOLERANCE			Approved by			Check	Design	Standard	2.5mm 90° WAFER Black				
			0	±0.35		LI			CLYDE	LU	P/N	JVT2575W9T-XXSNBKR-S				
A1			.0	±0.30		Version			Map title			031	Version	A1		
修改 @ 尺寸公差			.00	±0.20		Unit			mm	Scale	1:1	Date	20210817			
Content of change			.000	±0.10		Date										
20211101			CLYDE			Date			20210817							
Date			Signature			Date			20210817							



