

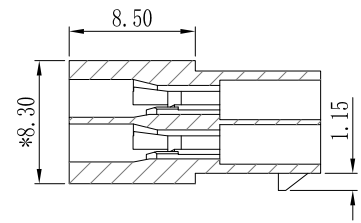
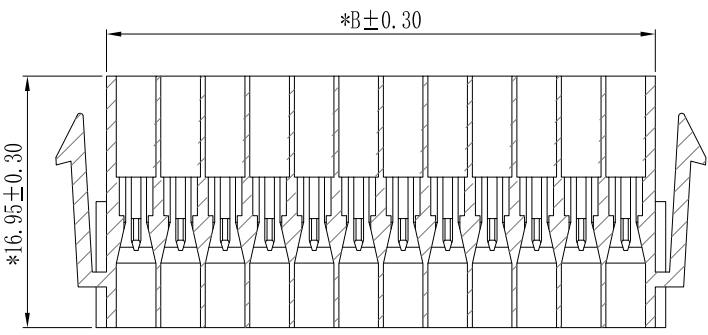
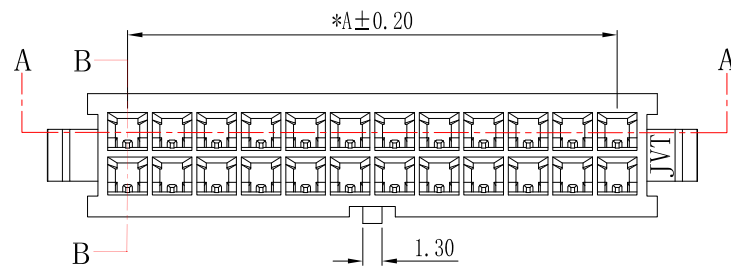
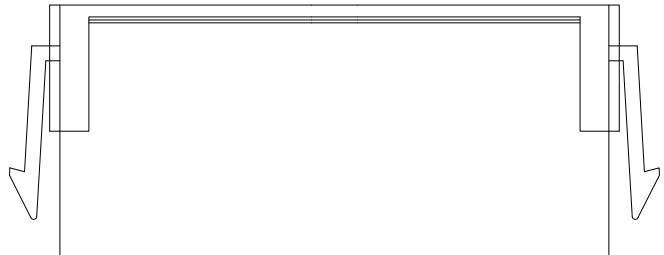
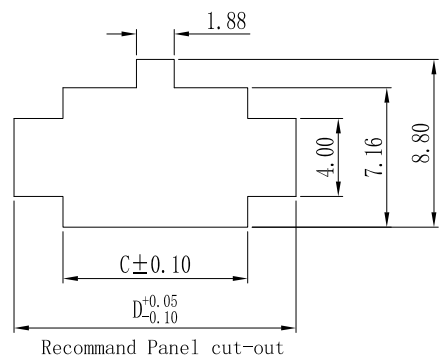
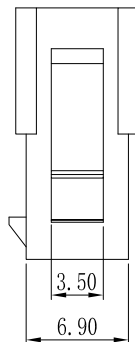
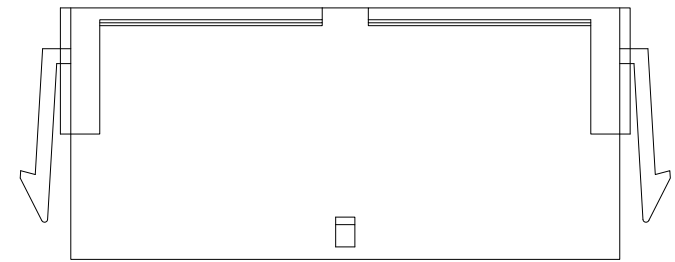
RoHS

- SPECIFICATIONS :
- Voltage Rating: 250V AC / DC
  - Current Rating: 5A AC / DC
  - Withstanding Voltage: 1000V AC/minute
  - Temperature Range: -40°C~+105°C
  - Insulation Resistance: 1000MΩ Min.
  - Contact Resistance: 10mΩ Max.
  - \*Suitable JVT3024T series Terminal
  - JVT3025H series Housing
- \*Material:  
Material: PA66 UL 94V-0  
Color:natural color/Black
- Packing specifications:  
2\*1~2\*06P 2,000 pcs/bag  
2\*07P above 1,000 pcs/bag  
\*is the key control size

JVT3024HN0-2\*XXXXL

Logo  
Series NO.  
Housing

L-Lock  
No-White  
BK-Black  
Pin NO.  
PA66 UL94V-0



Poles	Dimensions (mm)			
	A	B	C	D
2*01	---	4.0	4.36	8.0
2*02	3.00	7.0	7.36	11.0
2*03	6.00	10.0	10.36	14.0
2*04	9.00	13.0	13.36	17.0
2*05	12.00	16.0	16.36	20.0
2*06	15.00	19.0	19.36	23.0
2*07	18.00	22.0	22.36	26.0
2*08	21.00	25.0	25.36	29.0
2*09	24.00	28.0	28.36	32.0
2*10	27.00	31.0	31.36	35.0
2*11	30.00	34.0	34.36	38.0
2*12	33.00	37.0	37.36	41.0

SECTION A-A

SECTION B-B

Version		Content of change		Date	Signature	<p>GENERAL TOLERANCE</p> <p>0 ±0.35</p> <p>.0 ±0.30</p> <p>.00 ±0.20</p> <p>.000 ±0.10</p>		<p><b>JVT</b> 乔业连接器</p> <p><b>JVT CONNECTORS</b></p>			Approved by	Check	Design	Standard	3.0mm DUAL ROW Female HSG		
								<p><b>CONNCTORS</b></p>			LI	CLYDE	HUANG	P/N	JVT3024HN0-2*XXXXL		
								Unit	mm	Scale	1:1	Date	20130408	Map title	031	Version	A0