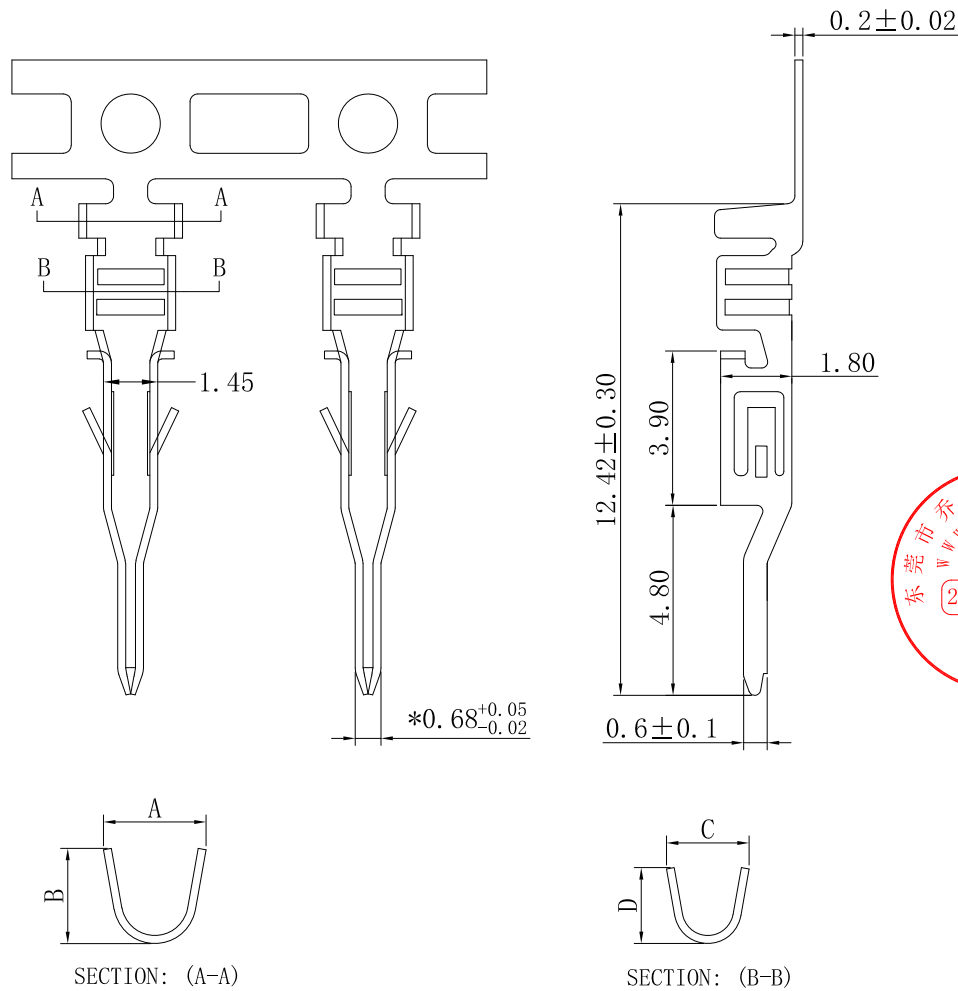


RoHS



Terminal

- Material: Phosphor Bronze or Brass or CZ-Cu-Cr-Zr
- Finish: Tin/Gold-plated
- Thickness: 0.20mm
- Wire Range: 20AWG-32AWG
- O' D: 1.85mm MAX
- Q' ty: 10000pcs/reel
- Salt: 24H
- Suitable JVT3024H series Housing \* is the key control size

JVT3024TX-XXSX

Logo  
 Series NO.  
 T-Terminal  
 B-Brass  
 P-Phosphor bronze  
 CZ-Cu-Cr-Zr  
 Blank  
 L-Low feet  
 S-Stamping before Plating  
 SN-Tin Plated  
 GA-Gold Plated

JVT3024TX-XXS	Brass	Tin Plated	AWG#20~24	1.85mm(Max)	2.5	2.4	2.1	2.0	10000Pcs
JVT3024TX-XXSL	Phos Bronze CZ-Cu-Cr-Zr	Gold Plated	AWG#26~32	1.30mm(Max)	2.3	1.7	1.85	1.27	10000Pcs
PART NO	Material	Finish(Pin)	Wire Range	Insulation O.D.	A	B	C	D	Q' ty(Reel)

Version		Content of change		Date	Signature				Unit	mm	Scale	1:1	Date	20200716	Approved by	Check	Design	Standard	3.0mm Male TER		
B		Newly added packaging quantity and key dimensions		20200716	CLYDE				LI	CLYDE	LU							P/N	JVT3024TX-XXS		
																		Map title	031	Version	B