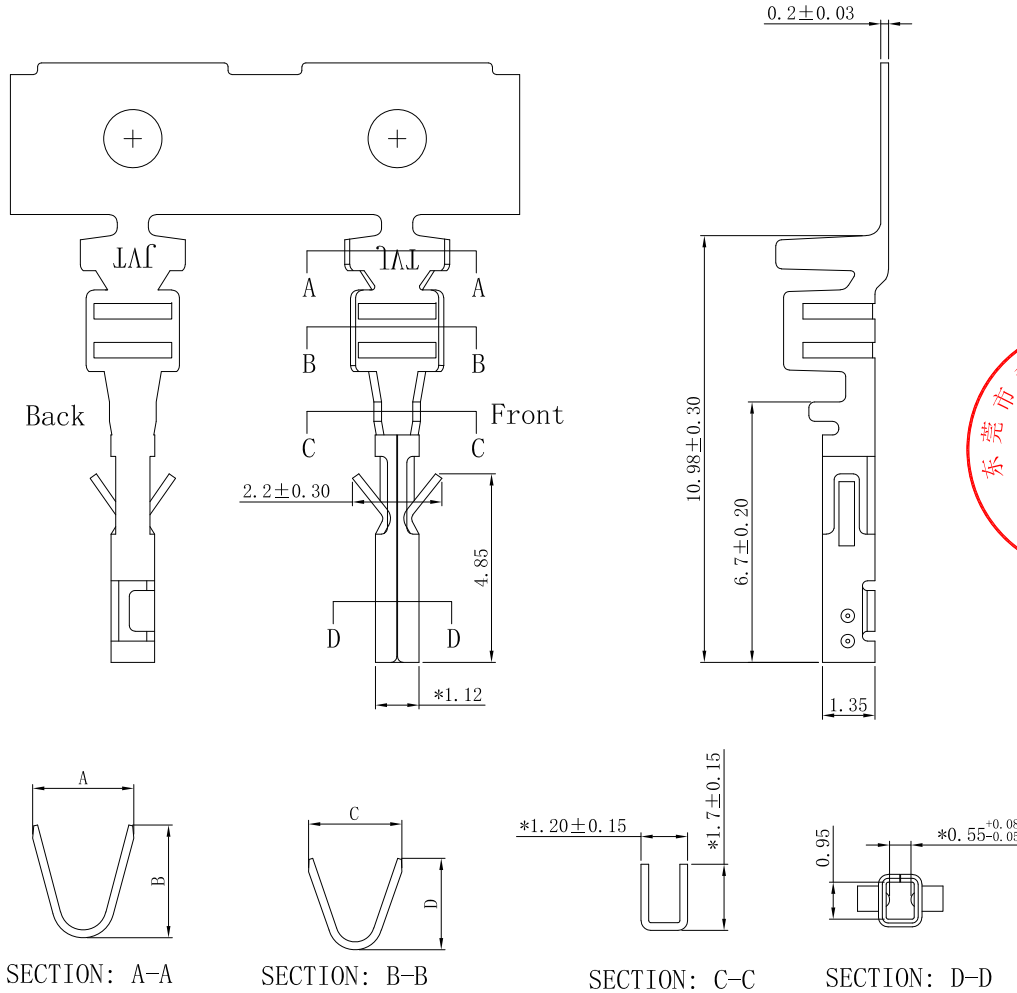


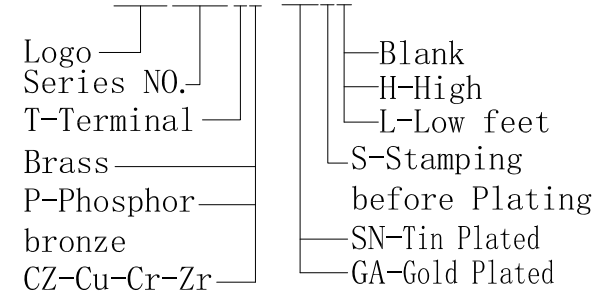
RoHS



Terminal

- Material: Phosphor Bronze or Brass or CZ-Cu-Cr-Zr
- Finish: Tin/Gold-plated
- Thickness: 0.20mm
- Wire Range: 16AWG-28AWG
- O'D: 2.10mm MAX
- Salt fog: 24H
- Suitable JVT3025H series Housing
JVT3026W series Wafer
- * is the key control size

JVT3025TX-XXSX-B



JVT3025TX-XXS-B	Brass	Tin Plated	AWG#20~24	1.85mm(Max)	2.4	2.4	2.3	2.15	10000Pcs
JVT3025TX-XXSH-B	Phos Bronze	Gold Plated	AWG#16~20	2.10mm(Max)	2.6	2.9	2.4	2.35	8000Pcs
JVT3025TX-XXSL-B	CZ-Cu-Cr-Zr		AWG#26~28	1.20mm(Max)	2.1	2.0	1.7	1.65	10000Pcs
PART NO	Material	Finish(Pin)	Wire Range	Insulation O.D.	A	B	C	D	Q' ty(Reel)

Version	Content of change	Date	Signature	Unit	mm	Scale	1:1	Date	20210115	Approved by	LI	Check	CLYDE	Design	LU	Standard	P/N	3.0mm Female TER B-mode	JVT3025TX-XXSX-B	Map title	031	Version	A
---------	-------------------	------	-----------	------	----	-------	-----	------	----------	-------------	----	-------	-------	--------	----	----------	-----	-------------------------	------------------	-----------	-----	---------	---

