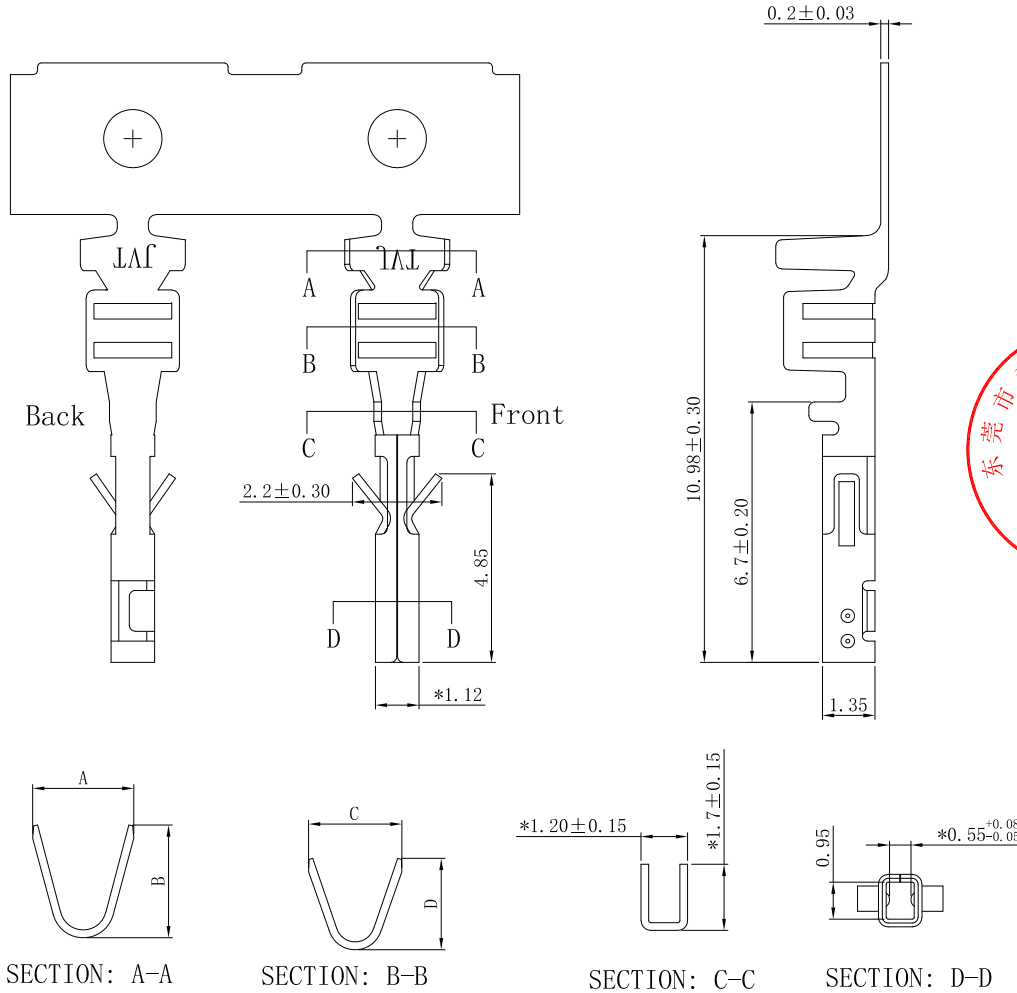


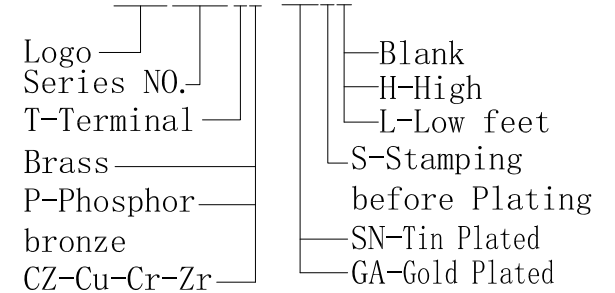
RoHS



Terminal

- Material: Phosphor Bronze or Brass or CZ-Cu-Cr-Zr
- Finish: Tin/Gold-plated
- Thickness: 0.20mm
- Wire Range: 16AWG-28AWG
- O'D: 2.10mm MAX
- Salt fog: 24H
- Suitable JVT3025H series Housing JVT3026W series Wafer
- * is the key control size

JVT3025TX-XXSX-B



SECTION: A-A

SECTION: B-B

SECTION: C-C

SECTION: D-D

JVT3025TP-SNS-B	Brass Phos Bronze CZ-Cu-Cr-Zr	Tin Plated Gold Plated	AWG#20~24	1.85mm(Max)	2.4	2.4	2.3	2.15	10000Pcs
JVT3025TP-SNSH-B			AWG#16~20	2.10mm(Max)	2.6	2.9	2.4	2.35	8000Pcs
JVT3025TP-SNSL-B			AWG#26~28	1.20mm(Max)	2.1	2.0	1.7	1.65	10000Pcs
PART NO	Material	Finish(Pin)	Wire Range	Insulation O.D.	A	B	C	D	Q' ty (Reel)

Version			Content of change			Date	Signature	Unit mm Scale 1:1 Date 20210115			Approved by	Check	Design	Standard	3.0mm Female TER B-mode		
								Unit mm Scale 1:1 Date 20210115			LI	CLYDE	LU	P/N	JVT3025TX-XXSX-B		
														Map title	031	Version	A

