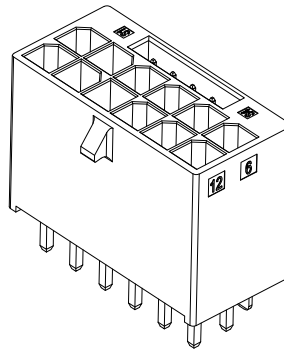
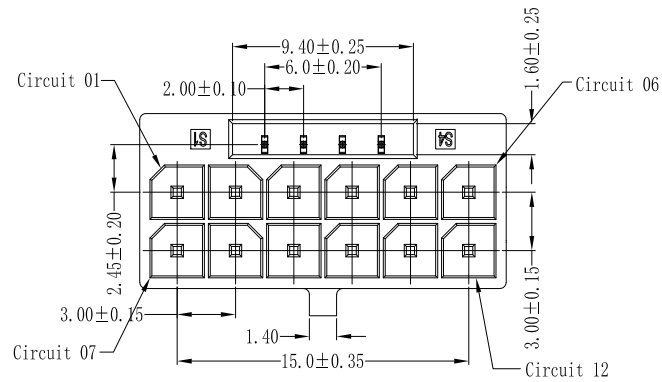


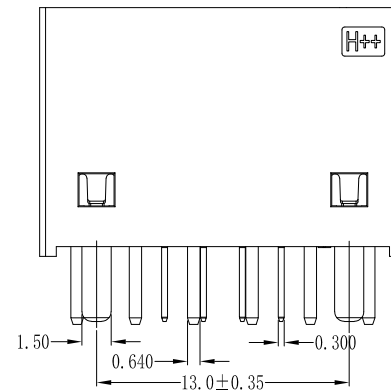
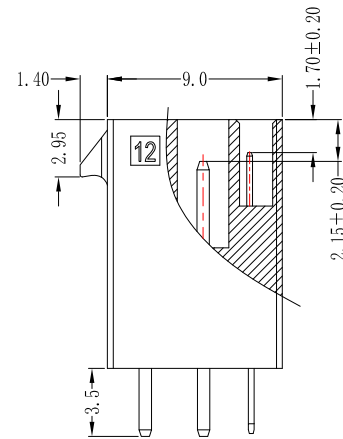
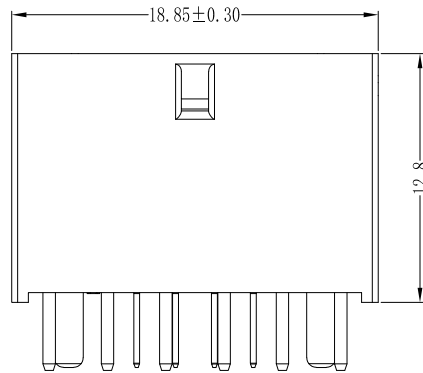
RoHS



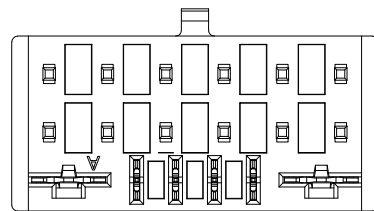
3. ELECTRICAL CHARACTERISTICS:  
 CURRENT RATING:9.2A PER PIN(PWR & GND PIN)  
 DIELECTRIC WITHSTANDING VOLTAGE: 1000 VAC 1 MINUTE  
 INSULATION RESISTANCE:1000MΩ MIN. AT 500V/DC  
 CONTACT RESISTANCE:10mΩ MAX  
 TEMPERATURE RANGE:-40° C~+105° C

\*Material:

Base:PA66 UL94V-0  
 Color:White  
 PWR & GND Pin:High conductivity copper  
 Sense Pin:Phosphor Bronze  
 Board Lock:Brass



JVT3026WNO-12+04GAWH-D  
 logo  
 Series NO.  
 Wafer  
 N0-PA66 UL94V-0  
 D-DIP  
 WH-White  
 GA-Full gold plated  
 SN-Tin Plated  
 Pin NO.



			GENERAL TOLERANCE			Approved by			Check		Design		Standard		3.0mm+2.0mm-12+04P WAFER 180° DIP						
			0 ±0.35			LI			CLYDE		LU		P/N		JVT3026WNO-12+04GAWH-D						
			.0 ±0.30			Unit			mm		Scale		1:1		Date						
Version			Content of change			Date			Signature			Date		20231211		Map title					
A			B			C			D			E			F			G		H	

