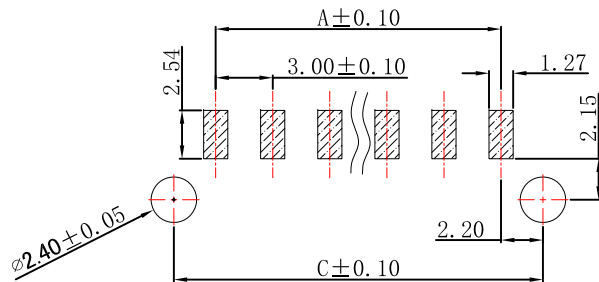
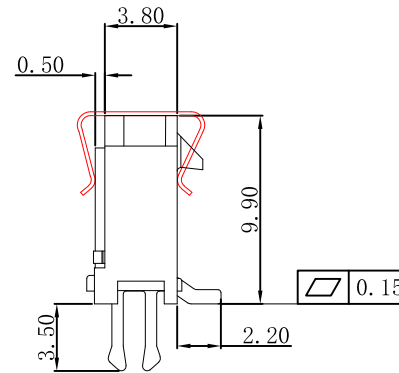
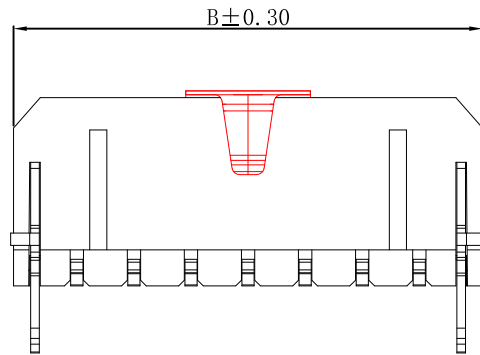
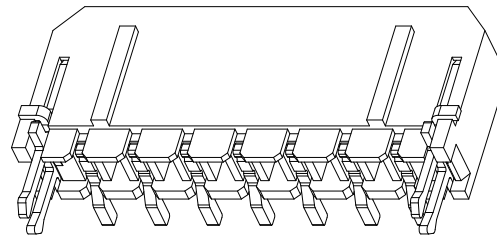
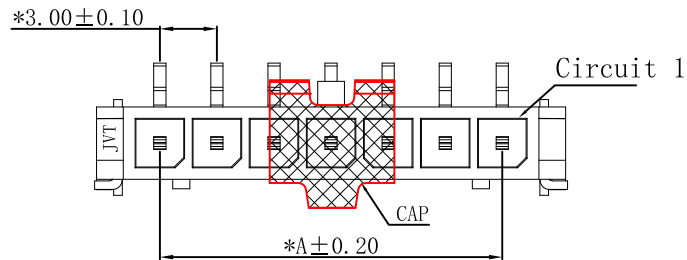


RoHS



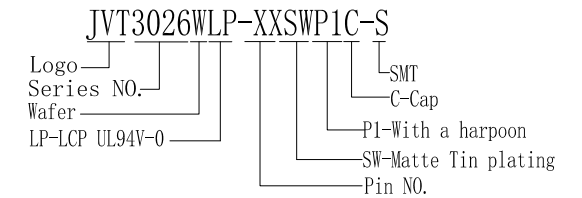
P. C. B. LAYOUT

■ Specifications :

- Voltage rating: 250V AC / DC
- Current rating: 5A AC / DC
- Withstanding voltage: 1000V AC/minute
- Temperature range: -40° C ~ +105° C
- Insulation resistance: ≥1000MΩ
- Contact resistance: ≤10mΩ
- After environmental testing: ≤20mΩ
- Suitable JVT3025T series Terminal  
JVT3025H series Housing
- " \* " is the key control size

■ WAFER

- Material: Base LCP UL94V-0  
Contact, Brass Tin-plated  
Cap, SUS304



PART NO.	Dimensions (mm)		
	A	B	C
02	3.00	9.65	7.40
03	6.00	12.65	10.40
04	9.00	15.65	13.40
05	12.00	18.65	16.40
06	15.00	21.65	19.40
07	18.00	24.65	22.40
08	21.00	27.65	25.40
09	24.00	30.65	28.40
10	27.00	33.65	31.40
11	30.00	36.65	34.40
12	33.00	39.65	37.40



				GENERAL TOLERANCE		JVT 乔业连接器 JVT CONNECTORS		Approved by	Check	Design	Standard	3.0mm 单排立贴 WAFER SMT 带鱼叉 带盖		
				0 ±0.35 .0 ±0.30 .00 ±0.20 .000 ±0.10		CONNECTORS		LI	CLYDE	LU	P/N	JVT3026WLP-XXSWP1C-S		
Version	Content of change	Date	Signature	Unit	mm	Scale	1:1	Date	20201006		Map title	031	Version	A0