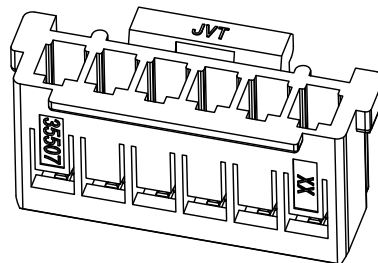
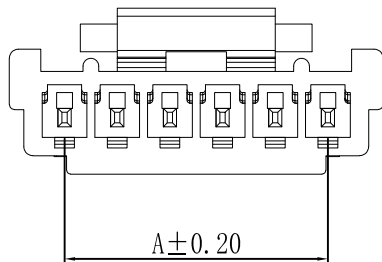


RoHS

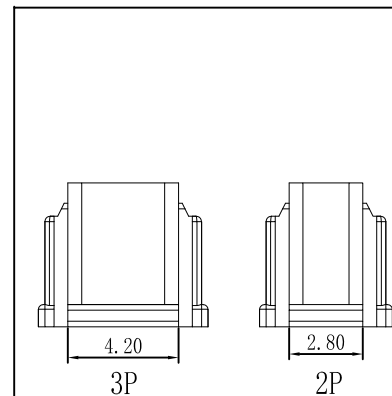
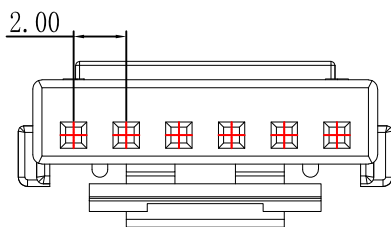
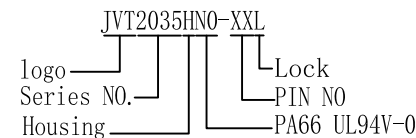
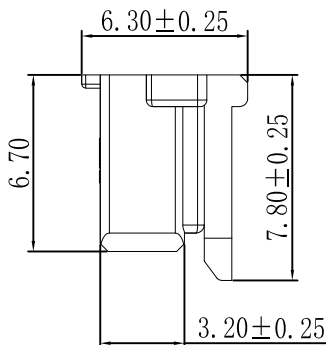
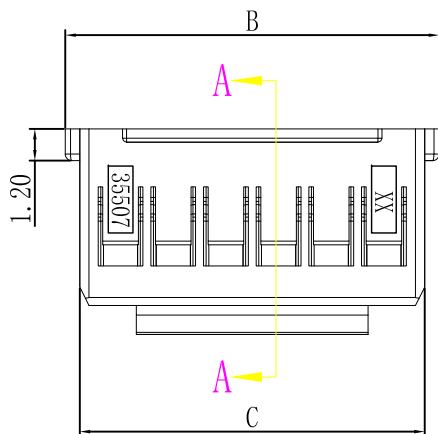


SPECIFICATION

- Voltage rating: 250V AC, DC
- Current Rating: 2A, AC, DC
- Withstand voltage: 800V AC/minute
- Contact resistance: 20m Ω max
- Insulation resistance: 1000M Ω min
- Temperature range: -40° C ~ +105° C

HOUSING

- Material: PA66 UL94V-0, White
- Packing specifications: 1K Pcs/bag



CKL	A	B	C
02P	2.00	7.20	5.10
03P	4.00	9.20	7.10
04P	6.00	10.20	9.10
05P	8.00	12.20	11.10
06P	10.00	14.20	13.10
07P	12.00	16.20	15.10
08P	14.00	18.20	17.10
09P	16.00	20.20	19.10
10P	18.00	22.20	21.10
11P	20.00	24.20	23.10
12P	22.00	26.20	25.10
13P	24.00	28.20	27.10
14P	26.00	30.20	29.10
15P	28.00	32.20	31.10
16P	30.00	34.20	33.10
17P	32.00	36.20	35.10
18P	34.00	38.20	37.10
19P	36.00	40.20	39.10
20P	38.00	42.20	41.10

Version	Content of change	Date	Signature	Unit	mm	Scale	1:1	Date	20240504

GENERAL TOLERANCE	
≤9	±0.15
≤10	±0.25
≤20	±0.35
≤35	±0.45
≤50	±0.55



Approved by	Check	Design	Standard	2.0mm HSG		
LI	CLYDE	LU	P/N	JVT2035HNO-XXL		
			Map title	031	Version	A0