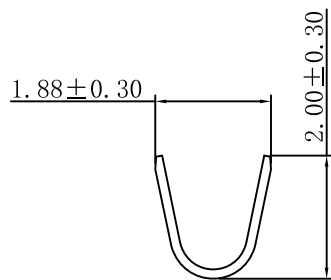
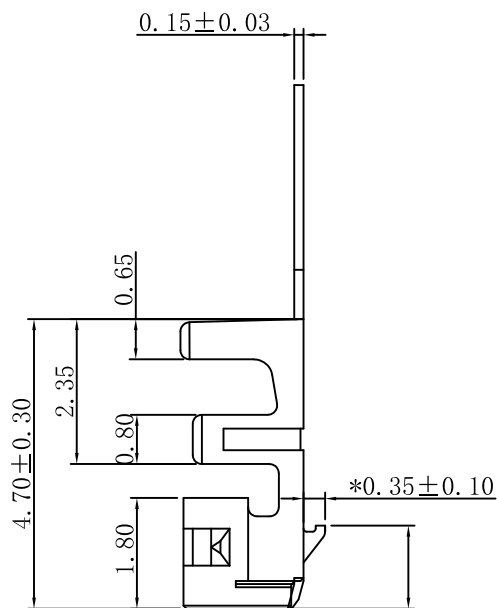
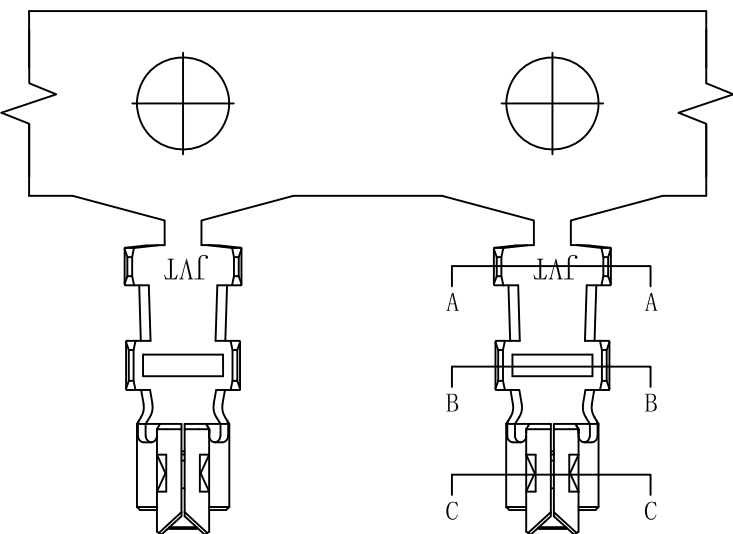
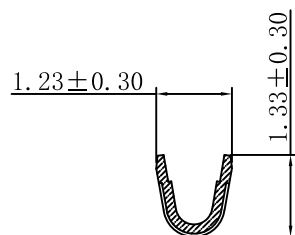


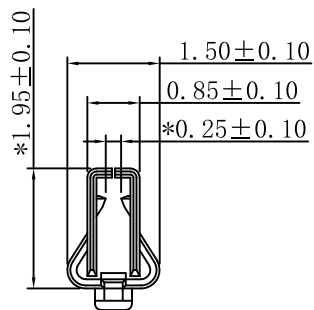
RoHS



SECTION A-A



SECTION B-B



SECTION C-C

TERMINAL

- Material: Phosphor bronze
- Finish: Tin plated
- Thickness: 0.15mm
- Applicable wires: AWG#24~30
- Q'ty: 10,000pcs/reel
- O'D: $\phi 0.80 \sim \phi 1.40$ mm
- Suitable JVT2065H series HSG
JVT2066H series HSG
JVT2035H series HSG
JVT2068H series HSG

JVT2035TP-SNS
 Logo—
 Series NO.—
 T-Terminal—
 P-Phosphor—
 bronze
 S—Stamping
 before Plating
 Tin Plated



			GENERAL TOLERANCE			Approved by		Check	Design	Standard	2.0mm TER				
			0	±0.35	LI		CLYDE	LU	P/N	JVT2035TP-SNS					
			.0	±0.30	Unit		mm	Scale	1:1	Date	20220419	Map title	031	Version	A0
Version			Content of change			Date		Signature		Date		Date		Date	
A			B			C		D		E		F		G	

