

HF-P SERIES Mixed-flow Inline Duct Fan

HF-100P/125P/150P/200P/250P/315P

Product Features

- ◆ PP material, anti-acid and alkali.
- ◆ Big airflow and air pressure.
- ◆ Double NMB ball bearings, long working life - over 50000 hours.
- ◆ Easy installation.
- ◆ Protection grade: IP44.
- ◆ Operation temperature range: -20°C-60°C.
- ◆ Perfect for office, meeting room, public place, hotel, apartment, hospital, ktv, etc.

Optional Functions :

- ✎ Three-speed motor (high, middle, low)
- ✎ Timer
- ✎ Temperature, humidity sensor

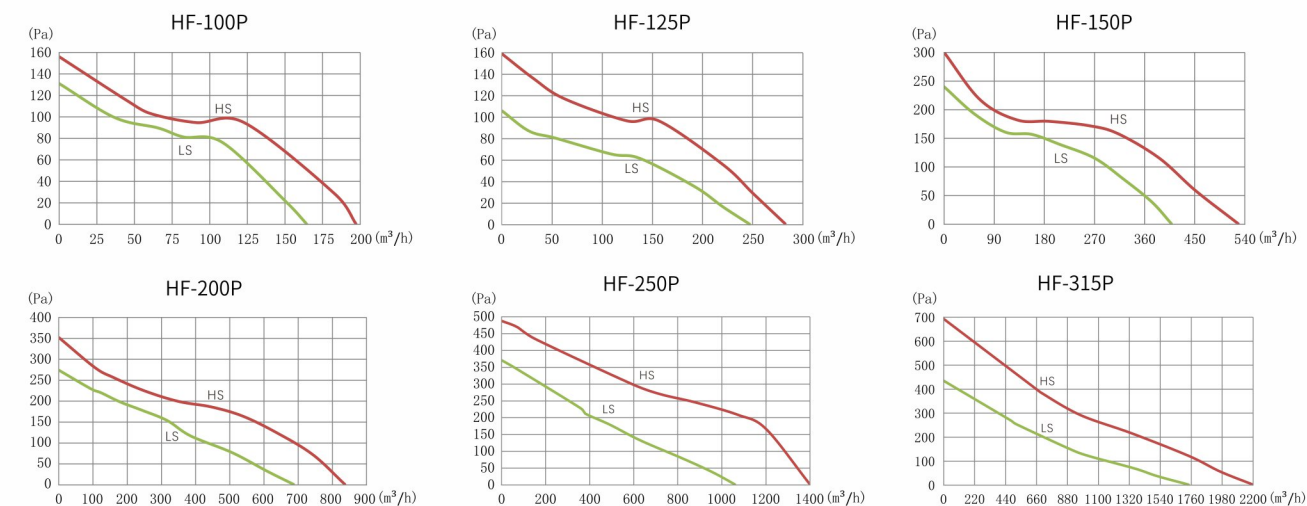
Performance Parameter

Model No.	Speed	Voltage /Frequency (V/Hz)	Current (Amps)	Power (W)	Speed (RPM)	Airflow (m³/h)	Air Pressure (Pa)	Noise (dB)	Net Weight (kgs)
HF-100P	H	220~240/50	0.12	26	2200	198	156	31	1.5
	L		0.11	23	1850	165	131	26	
HF-125P	H	100~120/60	0.31	35	2200	198	156	31	1.5
	L		0.28	30	1850	165	131	26	
HF-150P	H	220~240/50	0.14	33	2250	284	159	32	1.5
	L		0.13	28	1850	248	106	26	
HF-200P	H	100~120/60	0.35	38	2250	284	159	32	2.6
	L		0.31	32	1850	248	106	26	
HF-250P	H	220~240/50	0.22	54	2550	530	300	33	4.9
	L		0.19	44	1850	410	240	29	
HF-315P	H	100~120/60	0.55	62	2550	530	300	33	7.5
	L		0.45	49	1850	410	240	29	
HF-100P	H	220~240/50	0.53	128	2450	840	352	63	11.0
	L		0.52	123	1950	690	274	55	
HF-125P	H	100~120/60	1.60	165	2450	840	352	63	7.5
	L		1.30	135	1950	690	274	55	
HF-150P	H	220~240/50	1.20	225	2450	1405	488	66	11.0
	L		0.75	165	1850	1064	371	58	
HF-200P	H	100~120/60	2.60	290	2450	1405	488	66	7.5
	L		1.80	210	1850	1064	371	58	
HF-250P	H	220~240/50	1.90	390	2350	2206	693	69	11.0
	L		1.40	275	1650	1750	435	61	
HF-315P	H	100~120/60	3.70	412	2350	2206	693	69	11.0
	L		3.00	330	1650	1750	435	61	

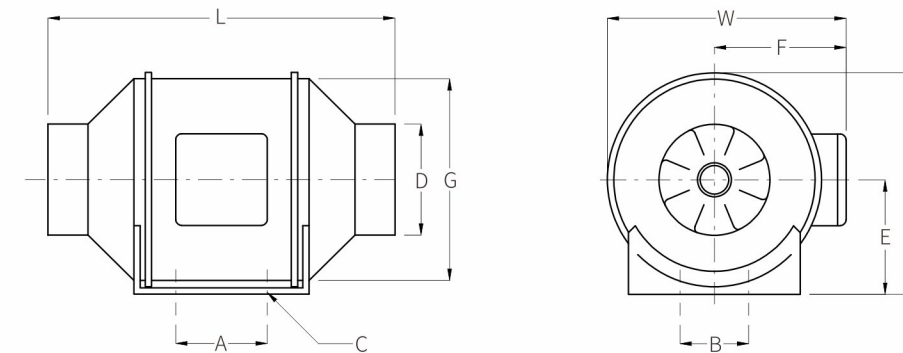


(optional)

Performance Curves



Dimensions(mm)



MODEL	A	B	C	ΦD	E	F	ΦG	L	W	H
HF-100P	80	60	4-Φ4.5	97	99	116	163	302	204	195
HF-125P	80	60	4-Φ4.5	123	99	116	163	257	204	195
HF-150P	80	60	4-Φ5.0	147	109	127	187	313	227	208
HF-200P	100	94	4-Φ5.5	197	125	137	205	302	249	237
HF-250P	150	150	4-Φ8*11	247	150	174	261	383	310	286
HF-315P	181	178	4-Φ8*11	312	187	216	325	446	386	357