

免费热线: 400-6262-755

www.laziochina.com



LAZIO RACKING MANUFACTURING
南京拉齐奥货架制造有限公司



南京拉齐奥货架制造有限公司
NANJING LAZIO RACKING MANUFACTURING CO.,LTD.

地 址: 江苏省南京市浦口区乌江工业集中区
电 话: 025-58298033
传 真: 025-58298133
邮 箱: Laziochina@163.com
网 址: WWW.laziochina.com



Introduction

公司简介



LAZIO是国内专业从事物流系统和仓库货架的规划、设计、制造、安装及咨询服务的最大规模厂家之一。

LAZIO秉承传统制造工艺的基础上、积极引进先进国家的物流设备结构形式及设计思路的优点，不断创新始终占据领先地位。

LAZIO工厂位于南京乌江工业集中区，拥有各类仓储产品生产设备，从货架等各种型材的高精轧制、货架的连续数控冲切、静电粉末自动喷塑等生产设备，从而形成了一套完整的生产体系。

LAZIO严格按ISO9001: 2000的质量体系、ISO14001: 2000环境体系和ISO10012: 2003测量体系运行，始终追求先进的管理模式，结合国内企业实际情况及行业发展，不断研发新技术、新产品。

LAZIO产品在工业物流界得到广泛应用，一直将制造最好的产品和提供最好的服务于客户，深得众多跨国集团在华企业和国内企业的一致好评。

Lazio is the one of the largest manufacturers specialized in logistics and warehouse shelves in the planning, design, manufacture, installation and consulting services.

Lazio adhering to the traditional manufacturing base, actively introduce advanced country logistics equipment structure form and designing ideas advantages, constant innovation always took the lead.

Lazio located in Wujiang industrial park in Nanjing. It has a variety of production equipment, engaged in various sections of the high-precision rolling, continuous CNC punching, automatic electrostatic powder spray to form a complete production system.

Lazio strictly operate according to ISO9001: 2000 quality system, ISO14001: 2000 environmental system and ISO10012: 2003 measurement system. We always pursue the advanced management mode, by understanding the development of domestic enterprises and the actual situation of the industry, and constantly develop new technologies and new products.

Lazio products in industrial logistics bound, has been widely applied to manufacture the best products and provide the best service to customer, is deep numerous multinational enterprise in China and the domestic enterprise's consistent high praise.

主要战略合作伙伴 Key strategic partners

排名不分先后，限于篇幅，未能详细列出全部名单



Contents

产品目录

轻型货架	02
中型A货架	03
中型B货架	04
重型横梁式货架	05-07
贯通式货架	08-09
阁楼式货架	10
钢结构平台	11
重力式货架	12
穿梭式货架	13
移动式货架	13
自动化仓库	14
悬臂式货架	15
流动式货架	16
抽屉式货架	16
线棒式货架	17
塑料托盘	17
钢制托盘	18
钢制料箱	18
隔离护栏	19
隔离网片	19
仓储笼	20
金属容器	21



Main products and services:

- 1 Storage system series: light, medium and heavy combination adjustable shelves, non-standard form of the shelf;
- 2 The consulting and designing of logistic system
- 3 Station equipment series: all kinds of standards, non-standard station equipment and metals and metal structure;
- 4 Logistics transportation system: transmission lines and production lines of various control systems;
- 5 Handling equipment series: stacker, high-speed elevator, rotating conveyor.

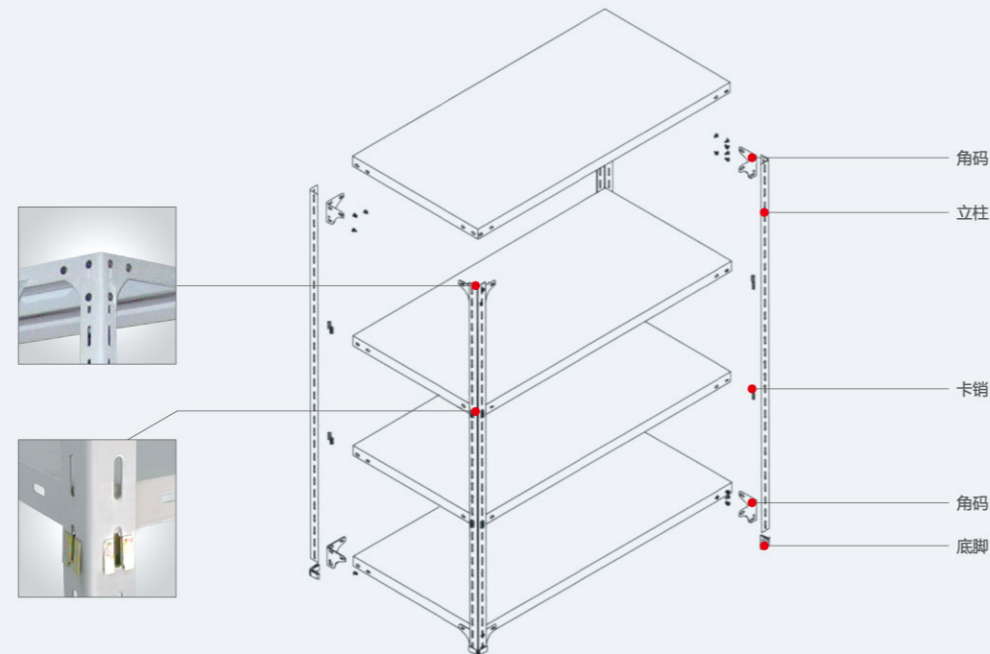
公司主要产品

- 1、仓储系统系列：轻、中、重型组合可调式货架，各种非标形式货架；
- 2、提供物流系统的咨询、规划、设计；
- 3、工位器具系列：各种标准、非标工位器具和金属和金属结构件；
- 4、物流输送系统：各种输送线和生产流水线控制系统；
- 5、搬运设备系列：堆垛机、高速提升机、旋转台车。

LIGHT DUTY RACKING 轻型货架

All-purpose angle steel structure, steel panel or wooden floor can be assembled freely, the height of each layer can be adjusted freely every 50mm pitch; less invested, widely used.

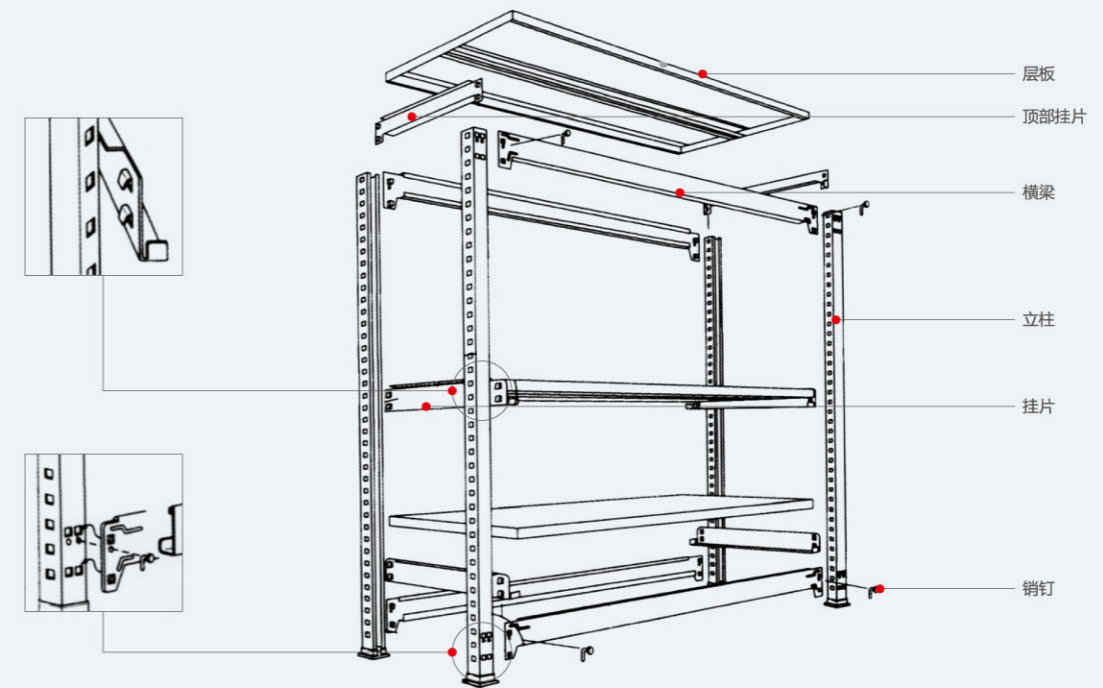
万能角钢结构，配置钢，木层板，随意组合，层高每50mm任意可调；投入较少，用途广泛。



MEDIUM A DUTY RACKING 中型A货架

Cut-in composite structure, standard cut-in units; installation and disassembly are simple and quick without using a single bolt, very high-strength closed steel panel, the height of each layer can be adjusted by pitch 50mm freely.

插接组合式结构，标准组插件，不用一颗连接螺栓，拆装方便快捷，超强闭口钢层板结构，层高每50mm任意可调。

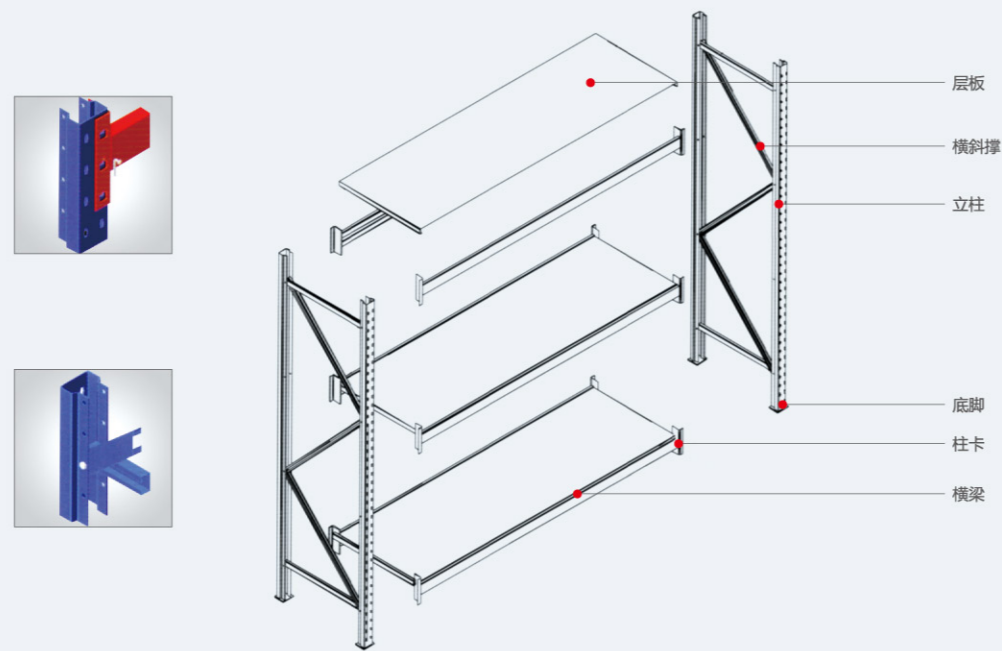


MEDIUM B DUTY RACKING

中型B货架

Cut-in composite beam structure, the height of each layer is easily to be adjusted by pitch 50mm; both steel and wooden panel are available; the loading capacity for each layer can reach 800kg; the racking can be customized to user's specifications, enabling the efficient storage of a wide variety of items.

插接式横梁结构, 层高每50mm均匀可调, 可配钢质, 木质层板, 单元层载可达1000kg, 规格尺寸可按需要量体裁衣。

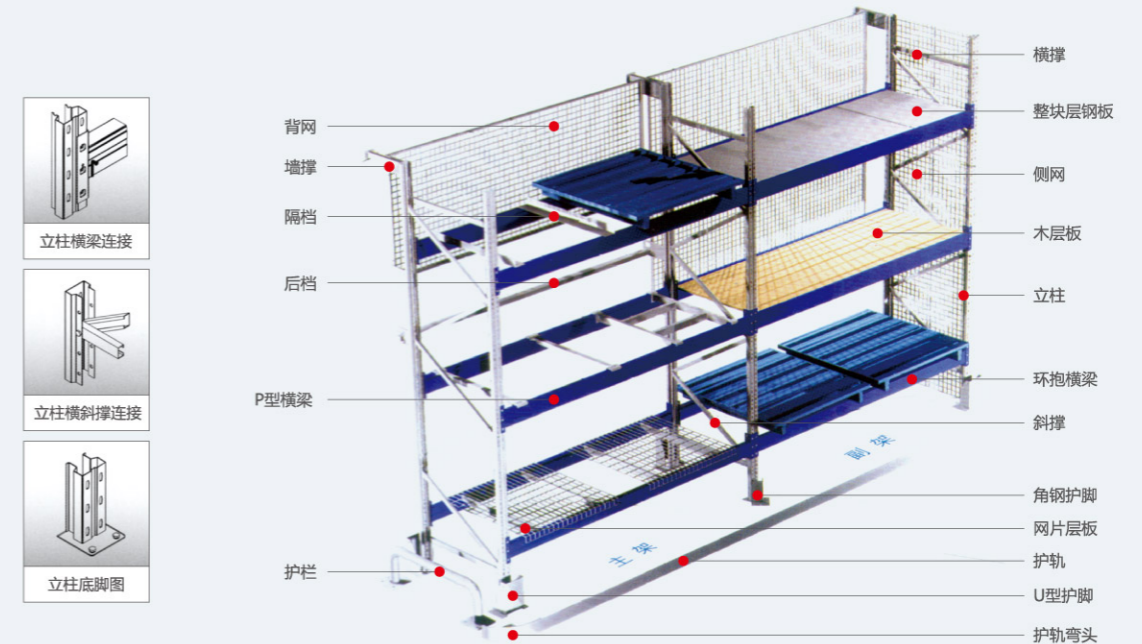


HEAVY DUTY PALLET RACKING

重型横梁式货架

Cut-in composite structure, the height of each beam is easy to adjust by pitch 75mm freely, smart section design and high-quality steel, it facilitates the use of most forklift trucks such as common forklift trucks, electric reach trucks, narrow aisle turret trucks, it is the most widely used design scheme of the storage system.

插接组合装配式结构, 层高每75mm均匀可调。优化型截面设计和高品质钢材, 可配置普通叉车、前移式叉车、三向叉车等各种型号叉车, 是最常用的仓储系统设计方案。



HEAVY DUTY PALLET RACKING 重型横梁式货架



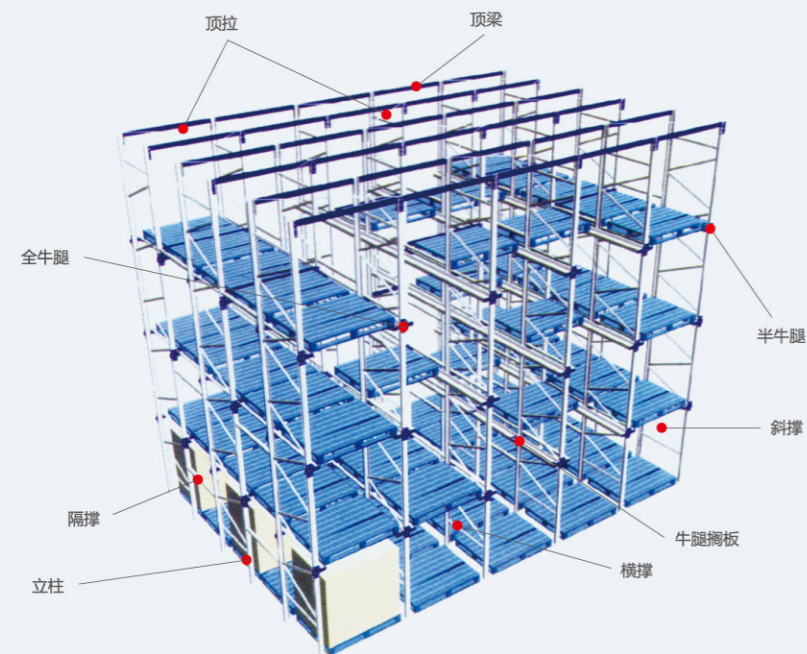
HEAVY DUTY PALLET RACKING 重型横梁式货架



DRIVE-IN RACKING 贯通式货架

It is designed for storing few varieties and large quantities of similar goods with very high space utilization. Goods are stored and removed from the same side, or done from the opposite side in accordance with the "first-in first-out" principle. It's especially suitable for standard goods units.

适于储存少品种大批量同类型货物，空间利用率极高，货物可由同一侧存入取出，也可按先进先出原则，货物从一侧存入，从另一侧取出，特别适合标准货物单元的存储。



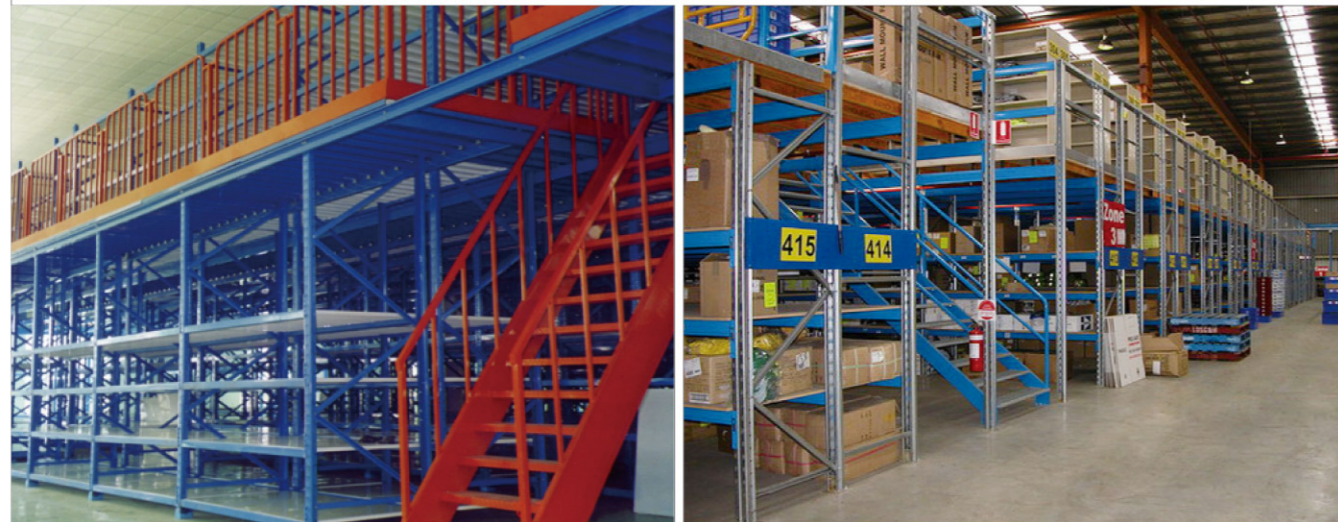
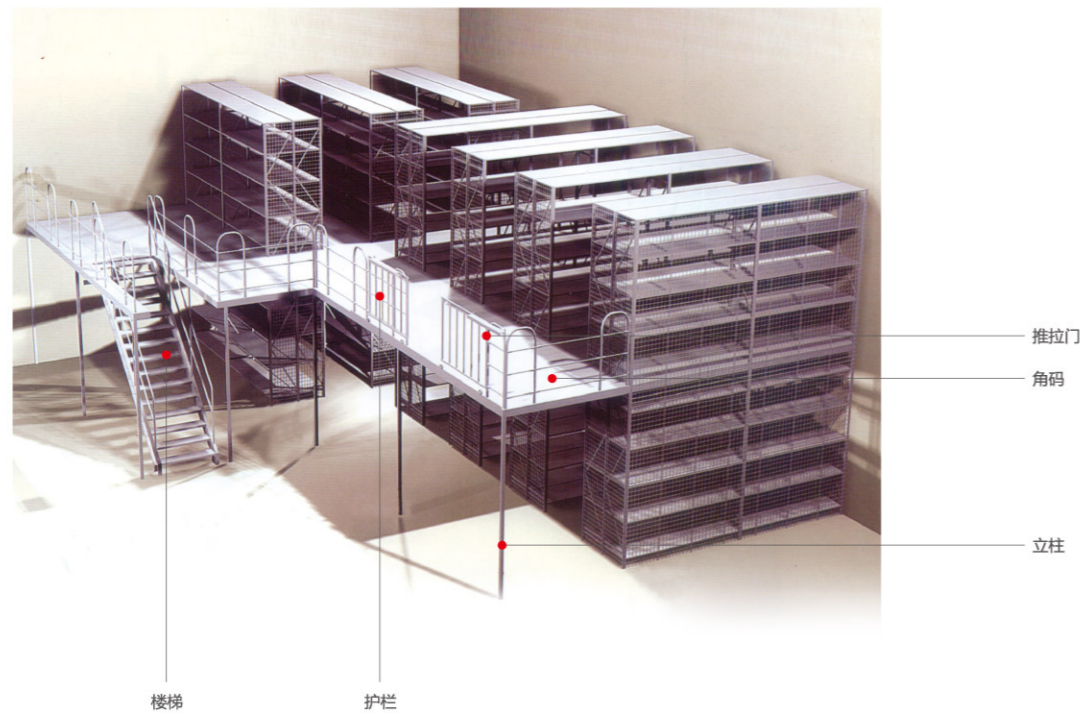
DRIVE-IN RACKING 贯通式货架



MULTI-TIER RACKING 阁楼式货架

All composite racking structure, smooth floor panel with high load capacity, low cost, quick construction, it can be designed into one layer or multi layers according to actual situation, full use of the space can be ensured, it is widely used in the areas of automobiles, electronics, mechanics, etc.

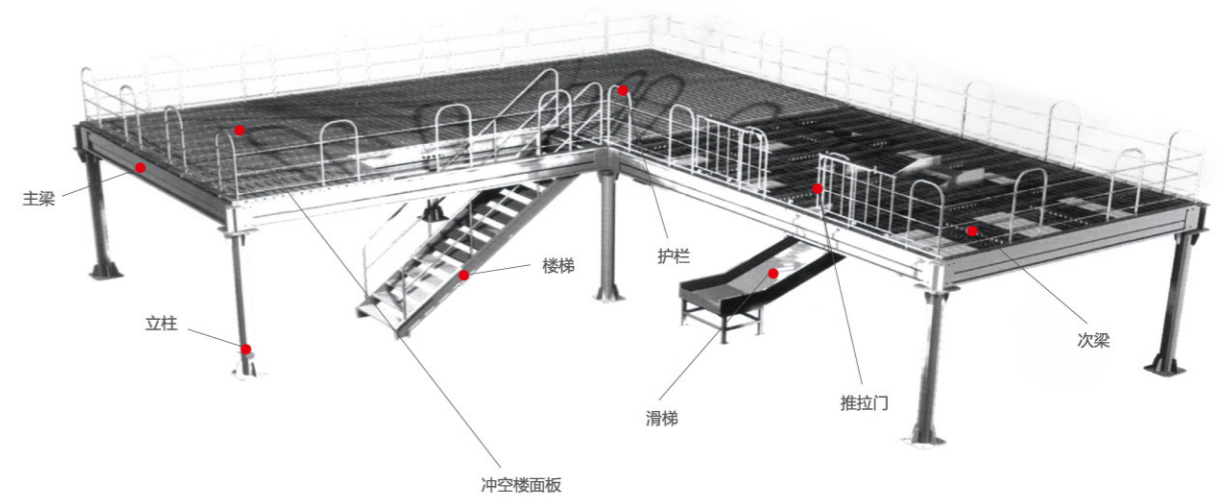
全组合货架结构，楼面平整、整体性强。承载能力强而均匀，造价低，施工快。可以根据实际场地和需求，灵活设计成二层、多层、充分利用空间。广泛应用于汽车、电子、机械等行业。



STEEL STRUCTURE GARRET 钢结构平台

All composite light steel structure, integrated smooth floor panel with high load capacity, low cost, quick construction. It can be designed one layer or multi layers according to fact and design standard for steel structure, full use of the space can be ensured.

全组合式轻钢结构，楼面平整、整体性强、承载能力强而均匀，造价低，施工快。可格局十几场地和需要。按钢结构设计规范灵活设计层二层，多层，充分利用空间。



GRAVITY PALLET RACKING 重力式货架

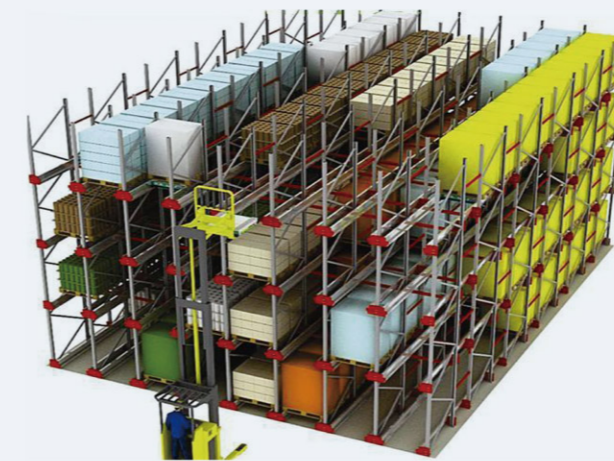
By using roller rail system or pallets with roller and under the influence of gravity, "first in and first out" for the goods is achieved. It is used for storing large quantity of goods of the same kind. And full use of the space can be made.
采用辊子式轨道或底轮式托盘，利用货物的自重，实现货物的先进先出，适合于大批量同类型货物的存储，空间利用率很高。



SHUTTLE RACK / MOVABLE RACKING 穿梭式货架 / 移动式货架

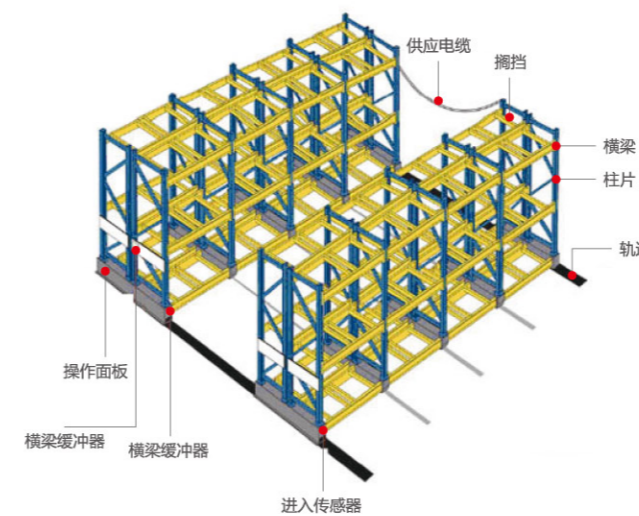
This new storage system to a more powerful operating capacity of more than the traditional storage of full and flexible use of space. The Warehouse Group with a number of car rack pallet rack and tray from the car to put in storage, transport and storage system.

这种全新的储存系统，以更强大的操作能力而比传统的存储方式更能充分和弹性地利用空间。这套仓库带有一定数量组架的台车托盘货架以及由台车来托盘入库、运输和存储的系统组成。



Only one aisle to be used, the highest space utilization, beautiful and practical, sealing better, which can manually and automatically operated, widely used in archives, library, bank and company documents center, etc.

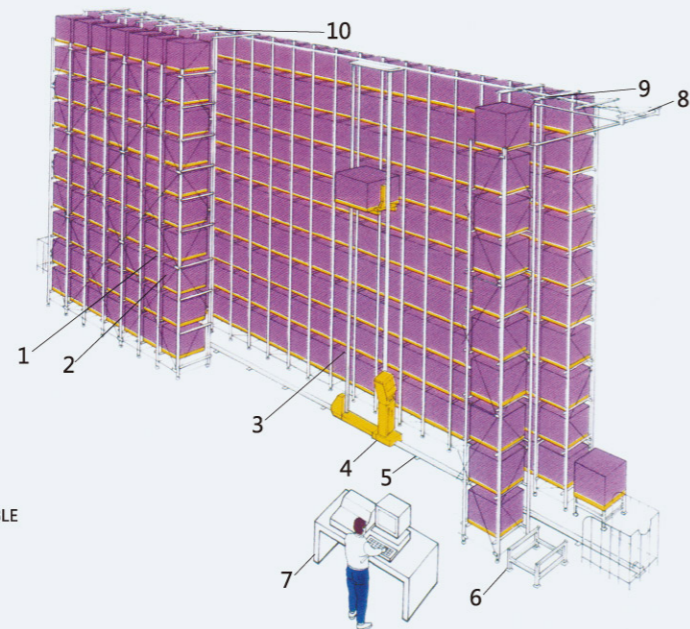
它仅需设一个通道，密封性好，美观实用，是空间利用率最高的一种货架，分手动和电动两种类型，主要适于档案馆、图书馆、银行、企业资料室等。



AS/RS SYSTEM 自动化仓库

The AS/RS System consists of assembly racking and welding racking. Complemented by passage stackers, conveyance system and computer control system, it guarantees the fullest space utilization, handling mechanization and storage management modernization.

装配式或焊接式货架，配以堆垛机、输送系统、计算机管理系统，可以实现充分利用空间、搬运存取机械化、贮存管理现代化的功能。



- | | |
|---------|---------------------------|
| 1、货架 | RACKING |
| 2、货物 | GOODS |
| 3、有轨堆垛机 | PASSAGE STACKER |
| 4、控制柜 | CONTROL CUPBOARD |
| 5、地轨 | GROUND RAIL |
| 6、出入库台 | OUT AND IN LOCATION TABLE |
| 7、监控室 | CONTROL ROOM |
| 8、悬伸部分 | SUSPENDED STRUCTURE |
| 9、天轨 | TOP RAIL |
| 10、天轨支撑 | TOP RAIL SUPPORT |

CANTILEVER RACKING 悬臂式货架

Composite structure, its size and capacity can be fixed by users. It is mainly used for the storage of long figure goods such as rolled section steel, steel tube, plates and so on.

组合式结构，规格尺寸和承载视用户要求而定，主要适合储存长形物料，如型材、管材、板材等。



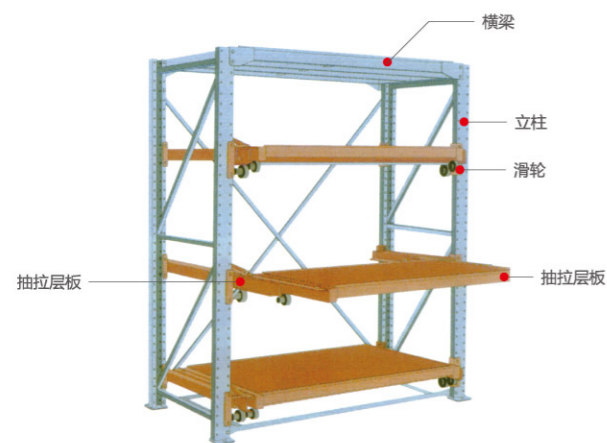
FLOW-THROUGH RACKING / SLID RACKING 流动式货架 / 抽屉式货架

By using aluma or steel roller rail system and under the influence of gravity, "first in and first out" for the goods is implemented. It is convenient to access and suitable for places such as the two sides of the assembly line, distribution center, etc. 采用辊轮式铝合金、钣金等流利条，利用货物自重，实现货物的先进先出。存取方便，适合与装配线两侧，配送中心等场所；可配电子标签，实现货物的轻松管理。



Slid structure, sturdy and durable, the load capacity for each layer can reach 500-2000kg. It is easy to store and take heavy goods such as moulds with cranes.

抽屉式结构。安全可靠，可容易地抽出500-2000kg/层的货物，辅之以行车，可实现模具等重物的轻松存取作业。



PIPE SYSTEM RACKING / PLASTIC PALLET 线棒式货架 / 塑料托盘

Workers at production line can design and manufacture wire rods according to working positions. Through simple design and tool position a paratus made of wire rod, with flexible working position mode and flexible working elasticity, it allows you to design, construct and adjust according to design requirements.

生产线工人根据自己的工位状况可以自行设计和制造线棒产品。通过简单的设计，线棒制成的工位器具，有着柔性工位系统的生产方式具有良好的工作弹性。它允许你根据自己的特殊需要来设计，建造和调整。



For forklifts, hydraulic pallet trucks and other transportation, four can be inserted; for each other in the warehouse shelves for stacking and various types of long life, and then follow the bad.

适用于叉车、液压托盘车等搬运，四面可插；适合在仓库中互相堆垛和各类货架上适用，使用寿命长，且可循环再用。

川字型托盘



双面型托盘



STEEL PALLET
钢制托盘

ISOLATION FENCE
隔离护栏



METAL CONTAINER
钢制料箱

ISOLATION MESH
隔离网片



WIRE BOX

仓储笼

Setting corrugated sheet or paper sheet in the warehouse box can protect material surface, ensure integrity during storage and transportation, reduce cost and improve efficiency. Easy operation, wide application and long service life.

在仓储笼内配置万通板或纸板，可保护容易划伤表面的物料，确保物料在存储、运输中完好无损，从而降低成本，提高效率。操作简便，使用广泛，寿命长。

仓储笼产品规格表：单位mm

产品型号	尺寸 (L×W×H)	线径	网格	容积	承重	堆叠
A3-30/0	800×600×650	6.0	50×50	0.22	700	4
A5-47/0	1000×800×850	6.0	50×50	0.52	1200	4
A7-71/5	1200×1000×900	6.0	50×50	0.84	1500	4
B3-25/5	800×600×650	6.0	50×100	0.22	500	4
B5-42/6	1000×800×850	6.0	50×100	0.52	800	4
B7-57/6	1200×1000×900	6.0	50×100	0.84	800	4
C3-32/6	800×600×650	6.4	50×50	0.22	800	4
C5-52/0	1000×800×850	6.4	50×50	0.52	1500	4
C7-78/0	1200×1000×900	6.4	50×50	0.84	2000	4



METAL CONTAINER

金属容器



堆垛架



物料整理架



物流台车



塑料箱



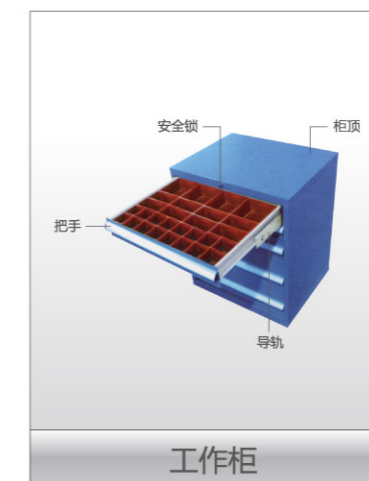
折叠式钢托盘



加强型金属笼



手推车



工作柜



工作桌