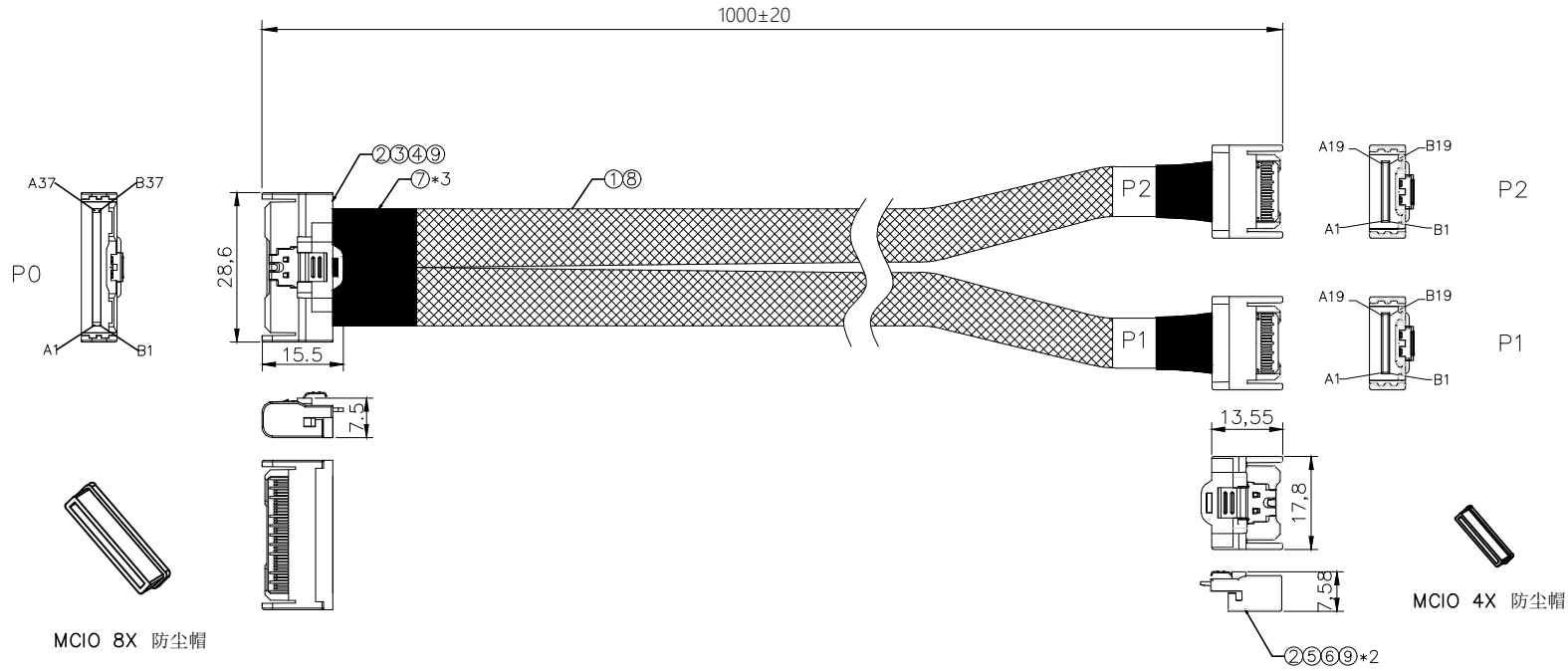


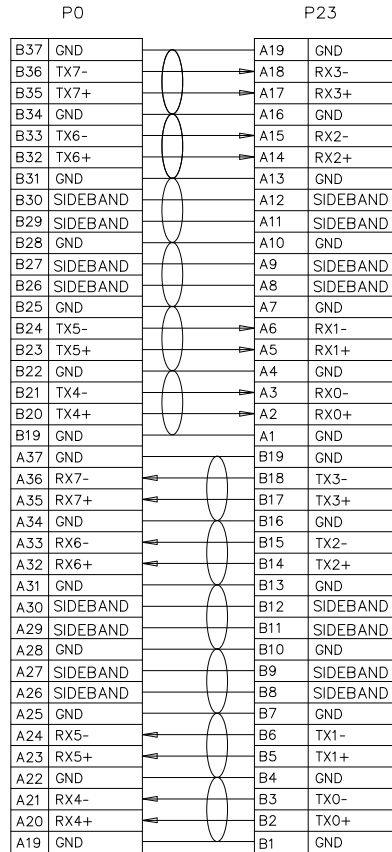
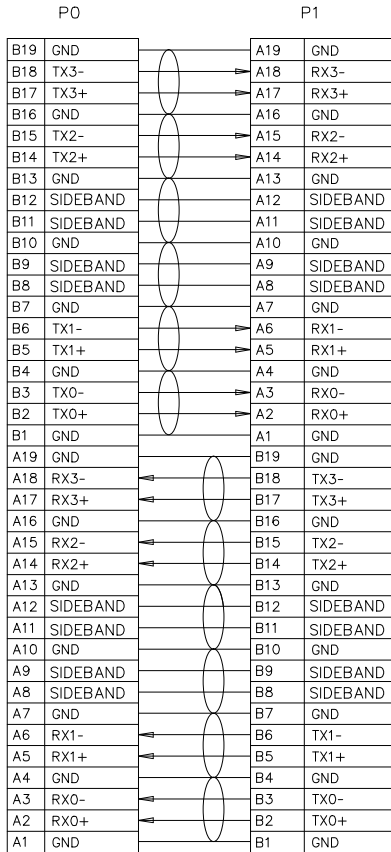
**RoHS**  
compliant



9	LATCH	AQ-3-MS21008	STAINLESS STEEL	1	pcs
8	EXPANDO	AQ-3-MS76001	PET BALCK DD: 10mm	A/R	mm
7	ACETATE TAPE	AQ-3-MS77001	w=25±5mm,BLACK	A/R	mm
6	HOUSING	AQ-3-MS64012	MCIO 4X HOUSING, PA66+30%GF,BALCK	2	PCS
5	PCBA	AQ-3-MS31028	MCIO 4X PCB, PIN:30u Au, 88±8 ohm	2	PCS
4	HOUSING	AQ-3-MS64011	MCIO 8X HOUSING, PA66+30%GF,BALCK	1	PCS
3	PCBA	AQ-3-MS31027	MCIO 8X PCB, PIN:30u Au, 88±8 ohm	1	PCS
2	MOLDING	AQ-3-GL10501	PA,BALCK	A/R	g
1	CABEL	AQ-3-MS40208	<30AWG*2C+2D>AL+MYLAR,DD:1.0*1.85MM,85±5 ohm	A/R	mm
NO.	PART NAME	PART NO.	SPEC DESCRIPTION	QTY	UNIT

TOLERANCE						
INCHES			M/M			
.X	.015	.30	<b>DIKWAN</b> 东莞市莞群实业有限公司 DONGGUAN AIQUN INDUSTRIAL CO., LTD.			
.XX	.010	.10				
.XXX	.005	.05				
SCALE	NONE		UNIT	MM	REV	A0
DRAWN BY	TONY CHAN		SHEET	1/2	COSTOMER:	
CHECK BY	LJF		DATE	23/10/07	DWG NO.:AQ03-0219A	
APPD BY			TITLE: MCIO 8x TO 2*4x			
CUSIOMER. P/N:			P/N: AMSEF0010001			

**RoHS**  
compliant



ELECTRICAL CHARACTER:

- a. 100% OPEN&SHORT TESTING;
- b. WITHSTANDING VOLTAGE:DC 300V 0.01Sec;
- c. INSULATION RESISTANCE:10M Ohm(Min);
- d. CONDUCTIVE RESISTANCE:2 Ohm(Max).

TOLERANCE			INCHES		M/M		DIKWAN® 东莞市嵩群实业有限公司 DONGGUAN AIQUN INDUSTRIAL CO., LTD.			
.X	.015	.30	SCALE	NONE		REV	A0			
.XX	.010	.10	UNIT	MM		CUSTOMER:				
.XXX	.005	.05	CHECK BY	TONY CHAN	DATE	23/10/07	DWG NO.:	AQ03-0219A		
			APPD BY		TITLE: MCIO 8x TO 2*4x					
			CUSIOMER. P/N:		P/N: AMSEF0010001					