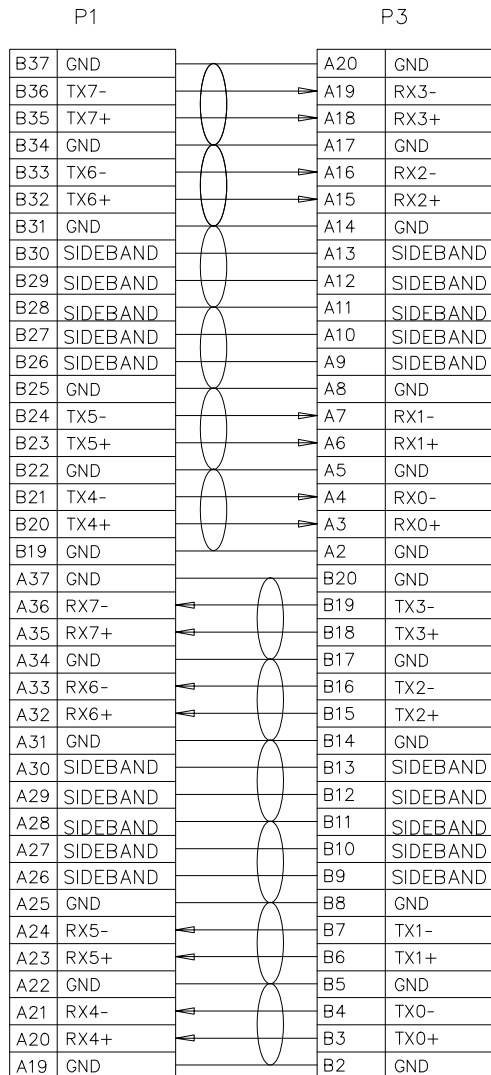
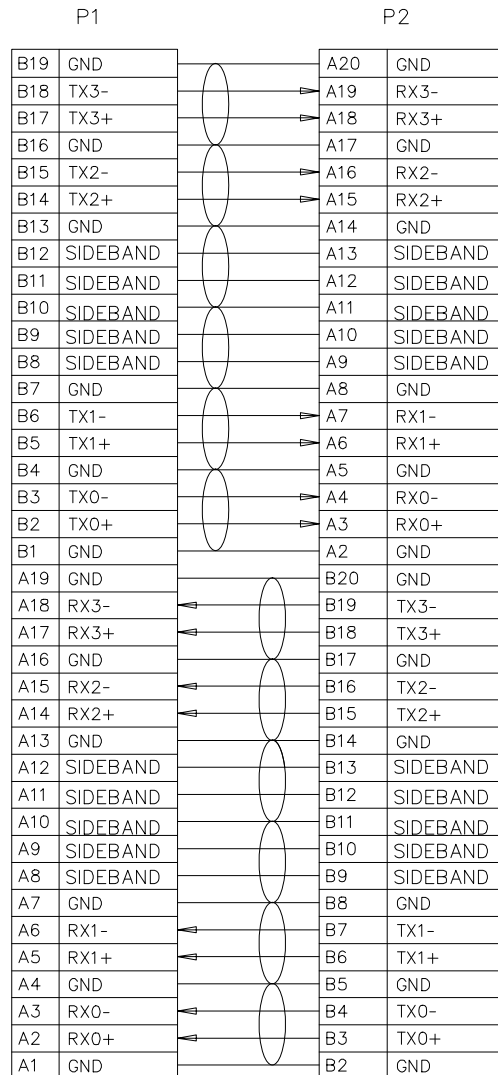


MCIO 8X Dust Cap

13	HUDDING	AQ-3-MS64011	PA66+30%GF,BALCK	1	PCS
12	CONN	AQ-3-MS51C02	OCULINK 4I CONN PIN:AU 15u	1	PCS
11	PCB	AQ-3-MS31022	OCULINK 4I PCB 88±8 ohm	1	PCS
10	HOOK	AQ-3-MS64002	OCULINK 4I HOOK_UP PC+ABS, BLACK	1	PCS
9	HOOK	AQ-3-MS64001	OCULINK 4I HOOK_DOWN PC+ABS, BLACK	1	PCS
8	LATCH	AQ-3-MS21008	STAINLESS STEEL	1	PCS
7	EXPANDD	AQ-3-MS76001	PET BALCK DD: 10mm	A/R	mm
6	ACETATE TAPE	AQ-3-MS77001	W=25±5mm,BLACK	A/R	mm
5	MOLDING	AQ-3-GL100101	LDPE,NATURAL	A/R	g
4	MOLDING	AQ-3-GL100401	PBT+30GF% BLACK	A/R	g
3	PCBA	AQ-3-MS31027	MCIO 8I PCB, PIN:30u Au, 88±8 ohm	1	PCS
2	MOLDING	AQ-3-GL10501	PA,BALCK	A/R	g
1	CABEL	AQ-3-MS40208	<30AWG*2C+2D>AL+MYLAR,DD:1.0*1.85MM,85±5 ohm	A/R	mm
NO.	PART NAME	PART NO.	SPEC DESCRIPTION	QTY	UNIT

TOLERANCE			OIKWAN		东莞市嵩群实业有限公司 DONGGUAN AIQUN INDUSTRIAL CO., LTD.	
INCHES						
M/M						
.X	.015	.30	SCALE	NONE	REV	A0
.XX	.010	.10	UNIT	MM		
.XXX	.005	.05	SHEET	1/2	COSTOMER:	
DRAWN BY TONY CHAN			DATE	23/10/07	DWG NO.:AQ03-0219A	
CHECK BY LJF			TITLE: MCIO 8i TO 2*OCULINK 4I			
APPD BY			CUSTOMER. P/N:			
CUSTOMER. P/N:			P/N: AMSE80010001			



ELECTRICAL CHARACTER:

- a. 100% OPEN&SHORT TESTING;
- b. WITHSTANDING VOLTAGE:DC 300V 0.01Sec;
- c. INSULATION RESISTANCE:10M Ohm(Min);
- d. CONDUCTIVE RESISTANCE:2 Ohm(Max).

TOLERANCE INCHES			M/M		OIKWAN		● 东莞市蔼群实业有限公司 DONGGUAN AIQUN INDUSTRIAL CO., LTD.			
.X	.015	.30			SCALE	NONE		REV	A0	
.XX	.010	.10				UNIT				MM
.XXX	.005	.05				SHEET				2/2
DRAWN BY			TONY CHAN		DATE		23/10/07		DWG NO.:AQ03-0219A	
CHECK BY			LJF		TITLE:		MCIO 8i TO 2*OCULINK 4I			
APPD BY					CUSIOMER. P/N:		P/N: AMSE80010001			