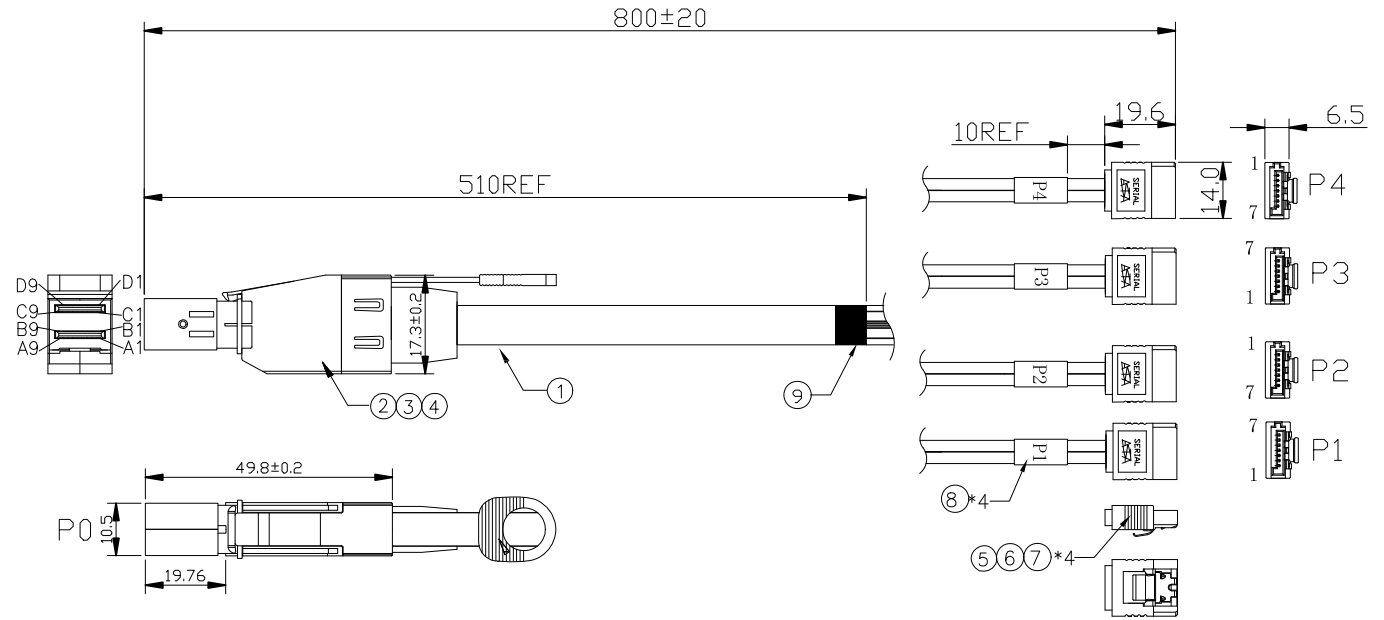
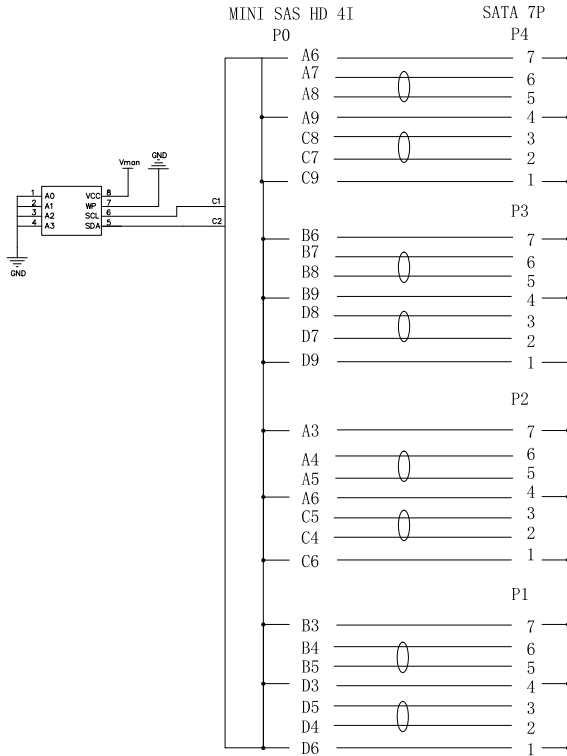


PIN ASSIGNMENT:



9	ACETATE TAPE	AQ-3-MS77001	W=25±5mm, BLACK	A/R	mm
8	LABLE	AQ-5-MS5039	W6*L24, PRINT "P1&P2&P3&P4"	4	PCS
7	CONN.	AQ-3-GL51S01	SATA 7P/F, PING/F	4	PCS
6	MOLDING	AQ-3-GL145201	45P PVC BLACK	A/R	KG
5	MOLDING	AQ-3-GL100101	LDPE ROHS	A/R	KG
4	MOLDING	AQ-3-GL100501	PA, BALCK	A/R	KG
3	ASSEMBLY PARTS	AQ-3-MS62001	MINISAS HD ASSEMBLY (Zinc ALLOY HOODS, HOOK, PULL-TAB, RUBBER RING)	2	set
2	PCBA	AQ-3-MS31021	MINISAS HD 4X PCBA, PIN, 30u Au, 100±10 Ohm	4	PCS
1	CABLE	AQ-3-MS41602	(30AWG*2C+D+HMAM+HM)*8C+M+AM+B, DD:6.8 MM, BLACK PVC JACKET 100±5 Ohm	A/R	mm
	PART NAME	PART NO	SPEC DESCRIPTION	QT'Y	UNIT

A	INITIAL RELEASE			13/03/02	
REV	DESCRIPTION OF CHANGE			DATE	
TOLERANCE INCHES		M/M		OIKWAN * DONGGUAN AIQUN INDUSTRIAL CO., LTD.	
.X	.015	.30			
.XX	.010	.10			
.XXX	.005	.05			
DRAWN BY	TONY CHAN	SCALE	NONE	REV	A
		UNIT	MM		
		SHEET	1/3		
CHECK BY		DATE	2020/3/10	CUSTOMER:	
		DWG NO.:			
CUSTOMER. P/N:		TITLE: MINI SAS HD 4X TO SATA7P*4			
		P/N: AMS4S0010002			