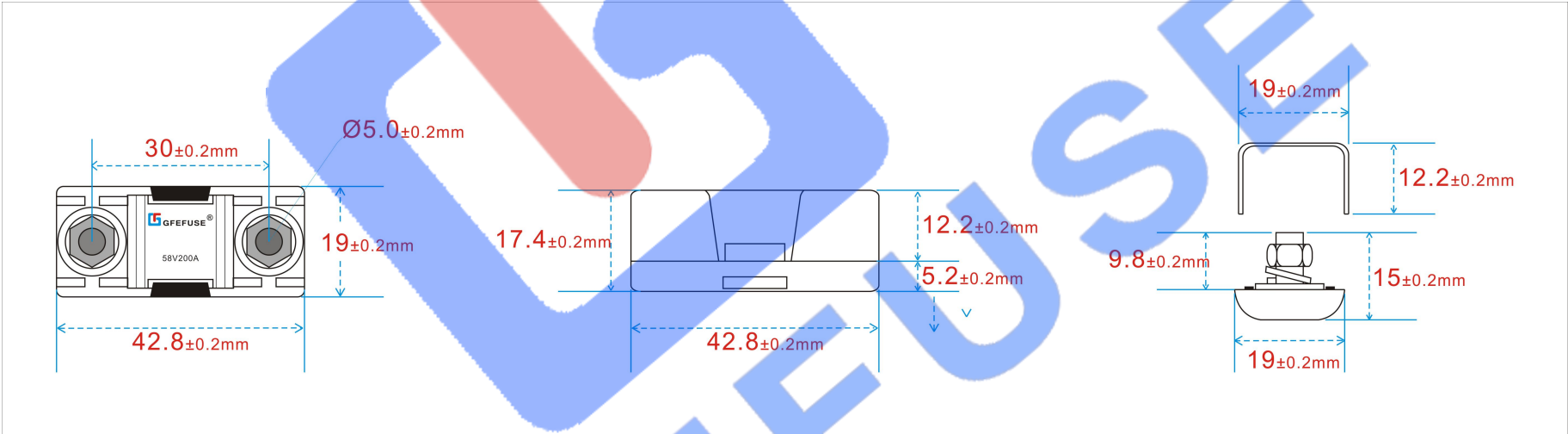




**Dongguan GongFu Electronics Co.Ltd. GFEFUSE® Focus: fuse holder and fuse**

**Inline GFEFUSE® GFEV(C200C )wire harness fuse holder (small fork bolt car fuse box)**

### Product Key Dimension Drawings



Note: Mould size changes are not notified. Dimension drawings are used as reference.



**Dongguan GongFu Electronics Co.Ltd. GFEFUSE® Focus: fuse holder and fuse**

---

**Inline GFEFUSE® GFEV(C200C )wire harness fuse holder (small fork bolt car fuse box)**

**Product performance description;**

- 1.Max. Voltage Rating: 32V/125VDC(Matching GFEFUSE® series Small flat fuse ANL-C®)**
- 2.Max. Fuse Rating: 200A**
- 3.Operating Temperature Range: -40°C to +125°C**
- 4.Max. Wire Size: 20mm<sup>2</sup>**
- 5.M5 Torque Rating: 5Nm**
- 6.Base/Cover Material: UL 94V-0 glass-filled nylon**
- 7.M5 Bolt Material: Zinc-plated**
- 8.Used in automobiles, batteries, power supply, mobile. Internal interconnection.**
- 9.Advantages: Convenient connection and fuse replacement. Small size**

**TEL:0769-82391938 81100206 FAX:0769-82391939**

**<http://www.dcfuselink.com>**

---