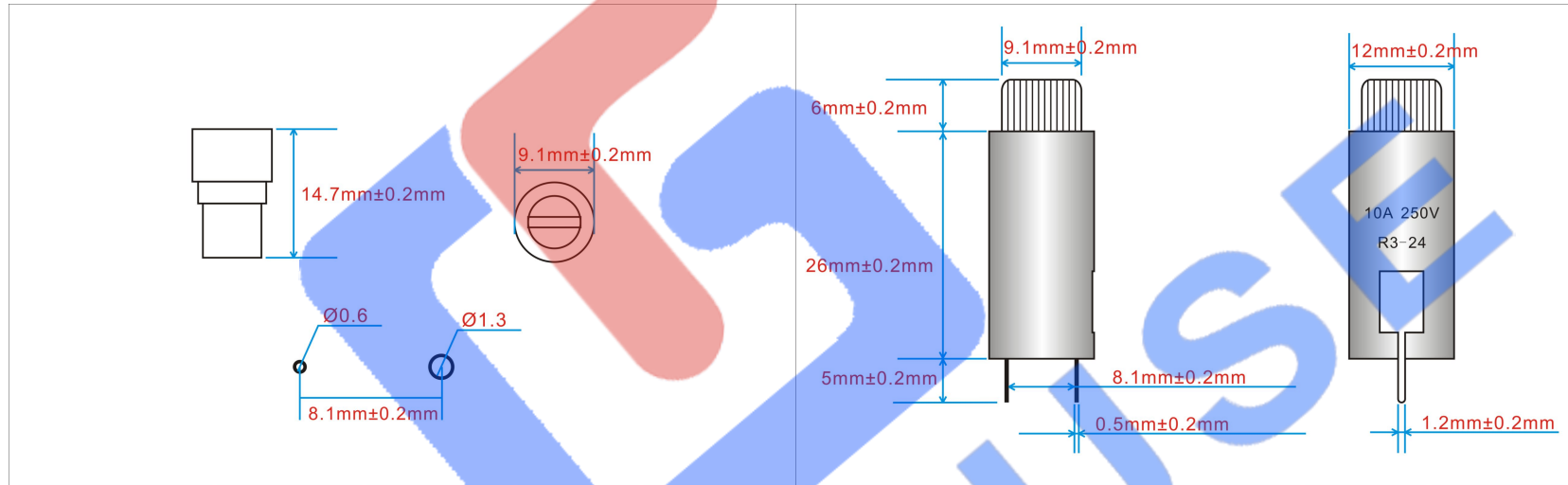


A: Product Dimension Installation Drawings



B: Product introduction

1. Product model: R3-24
2. rated current: 10A
3. rated voltage: 250V/125V (AC/DC)
4. Fitting 5 x 20mm fuse pipe
5. split current: 50A
6. Base: Black Bakelite (UL-94V0)
7. terminal: 0.5mm (phosphor)
8. withstand voltage: 3000VAC
9. contact resistance: $< 5\text{m}\Omega$
10. insulation resistance: $> 100\text{M}\Omega$

Note: Product changes are not notified