



5H30L Series Fast EV Fuse

1. Purpose and use

This series of fuses are suitable for rated DC voltage up to 500V (450V), In the line with rated current up to 300A, the breaking capacity is 20kA, which is the comprehensive protection of on-board battery, on-board line system and inverter. At the same time, it has the characteristics of strong current limiting capacity, high breaking capacity, fast short-circuit breaking speed, and it can withstand temperature shock, mechanical vibration shock, current shock, chemical load, etc. This series of products conforms to ISO 8820 and Jaso D622 and GB / T31465. Applicable standards for environmental reliability: GB/T31465.6, ISO 8820-8, JASO D622, UL248-20

2. Normal working conditions

Normal operating conditions of ambient air temperature: $-5\text{ }^{\circ}\text{C} \sim 40\text{ }^{\circ}\text{C}$; allowable operating conditions: $-40\text{ }^{\circ}\text{C} \sim +125\text{ }^{\circ}\text{C}$;

3. Use category

Full range fast fuse



4. Structural characteristics

The melting tube of the product is made of high-temperature resistant ceramic material, with high flame-retardant performance and strong hardness.

The melt is sealed in the melting tube with a variable cross-section melt made of 99.99% pure silver. The melting tube is filled with chemically treated high-purity quartz sand and specially treated chemical materials as arc extinguishing medium. The contact surface is silver plated to ensure reliable electrical performance, greatly reducing temperature rise and power consumption; Both ends of the melt are firmly connected with the contact by spot welding, which greatly enhances the safety and reliability of breaking short circuit fault current

5. Agreed current and agreed time

Test current A	Fusing time s	
	min	max
1.1In	14400	-
1.35In	150	3600
1.5In	20	1500
2In	1	300
3In	0.2	30
5In	0.05	1



Note: the agreed current and agreed time required by the customer can be negotiated with our company.

The characteristics of fuse will vary according to the use environment and surrounding design requirements. The performance characteristics are obtained according to the rated constant temperature of 25 °C

6. Main parameters

NO:	Product model	Rated current (A)	Rated voltage	Maximum voltage drop	Breaking Capacity (KA)
			DC (V)	(mV)	
1	5H30L150	150	500V/450V	54	20
2	5H30L175	175	500V/450V	56	20
3	5H30L200	200	500V/450V	45	20
4	5H30L225	225	500V/450V	45	20
5	5H30L250	250	500V/450V	45	20
6	5H30L300	300	500V/450V	46	20

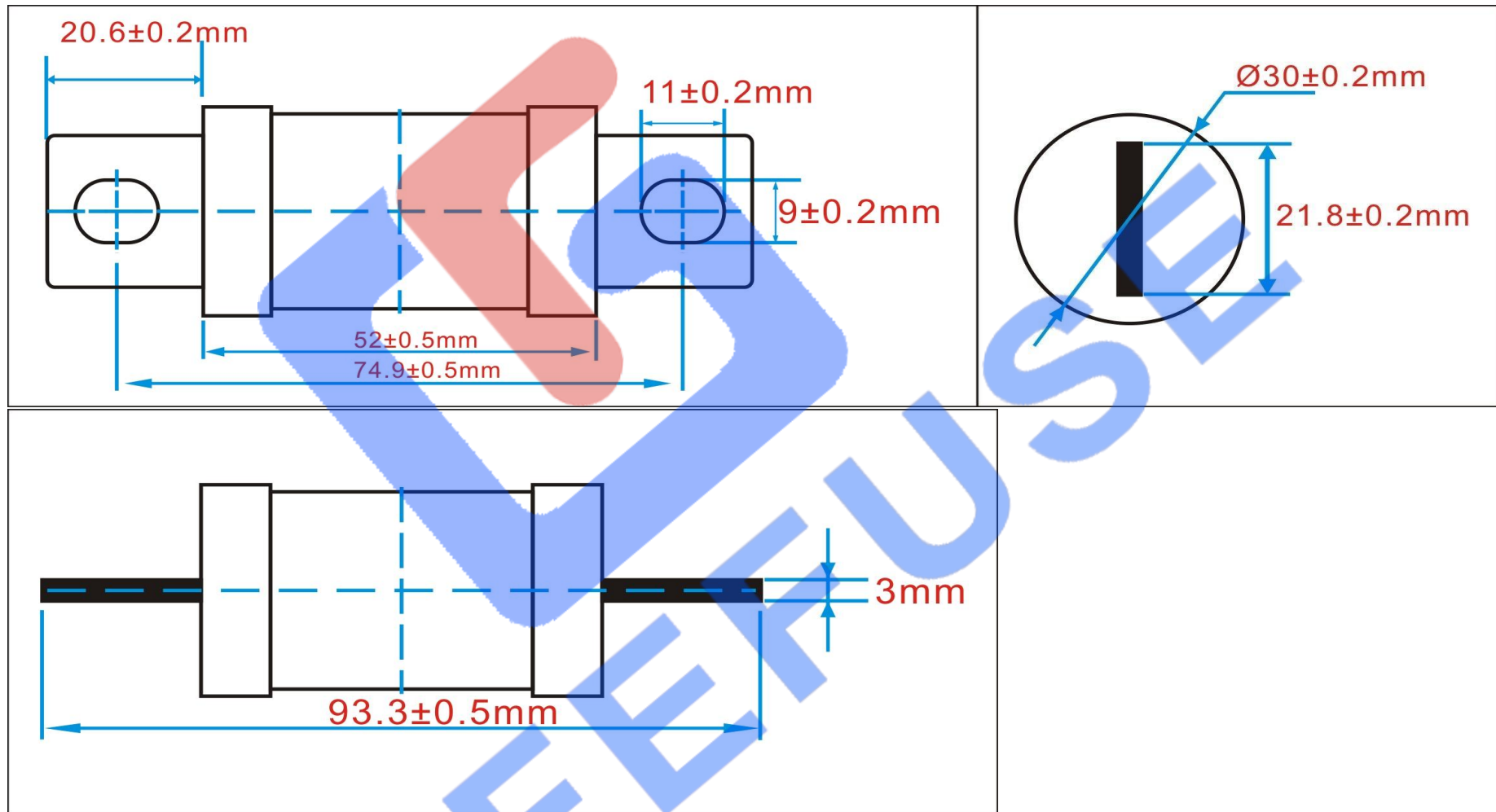
7. Product scale:



Dongguan GongFu Electronics Co.Ltd.

GFEFUSE®

Focus: fuse holder and fuse



8. Characteristic curve:

TEL:0769-82391938

FAX:0769-82391939

<http://www.dcfuselink.com>



曲线图/Time current Curve

