



7H30L Series DC automobile fuse

1. Purpose and use

This series fuse is applicable to the rated DC voltage of 800V (750V) below, in the rated current of 50A-250A line, the breaking capacity is 50KA, widely used in the charger. Charging pile, vehicle-mounted battery, vehicle-mounted circuit system and integrated protection of inverter. At the same time, it has the characteristics of strong current limiting capacity, large breaking capacity, short circuit breaking speed and so on. It can withstand temperature shock, mechanical vibration shock, current shock, chemical load and so on. This series of products comply with ISO 8820, JASO D622 and GB/T31465 standards. Environmental reliability applicable standards :GB/T31465.6, ISO 8820-8, JASO D622, UL248-20

2. Normal working conditions

Normal operating conditions of ambient air temperature: - 5 °C ~ 40 °C; allowable operating conditions: - 40 °C ~ + 125 °C;

3. Use category

Full range fast fuse (gR)

4. Structural characteristics



The melting tube of the product is made of high-temperature resistant ceramic material, with high flame-retardant performance and strong hardness.

The melt is sealed in the melting tube with a variable cross-section melt made of 99.99% pure silver. The melting tube is filled with chemically treated high-purity quartz sand and specially treated chemical materials as arc extinguishing medium. The contact surface is silver plated to ensure reliable electrical performance, greatly reducing temperature rise and power consumption; Both ends of the melt are firmly connected with the contact by spot welding, which greatly enhances the safety and reliability of breaking short circuit fault current

5. Agreed current and agreed time

Test current A	Fusing time s			
	In: <60A		In: ≥60A	
	min	max	min	max
1.1In	14400	-	14400	-
1.35In	150	3600	150	3600
1.5In	-	-	20	1500
2In	0.5	100	1	300
3In	0.1	15	0.2	30
5In	0.05	1	0.05	1

Note: the agreed current and agreed time required by the customer can be negotiated with our company.

The characteristics of fuse will vary according to the use environment and surrounding design requirements. The performance characteristics are obtained according to the rated constant temperature of 25 °C



6. Main parameters

NO:	Product model	Rated current (A)	Rated voltage	Maximum	Breaking Capacity (KA)
			DC (V)	voltage drop (mV)	
1	7H30L50	50	800V/750V	200	50
2	7H30L60	60	800V/750V	180	50
3	7H30L70	70	800V/750V	180	50
4	7H30L80	80	800V/750V	180	50
5	7H30L100	100	800V/750V	180	50
6	7H30L125	125	800V/750V	180	50
7	7H30L150	150	800V/750V	180	50
8	7H30L175	175	800V/750V	180	50
9	7H30L200	200	800V/750V	180	50
10	7H30L225	225	800V/750V	180	50
11	7H30L250	250	800V/750V	180	50

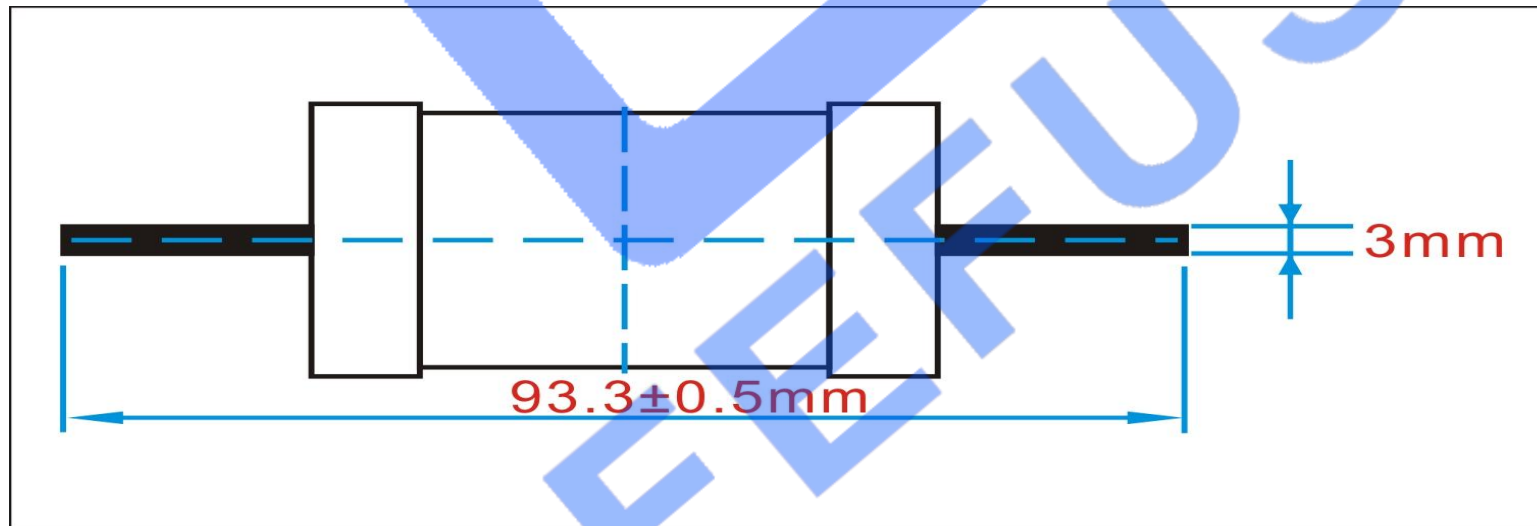
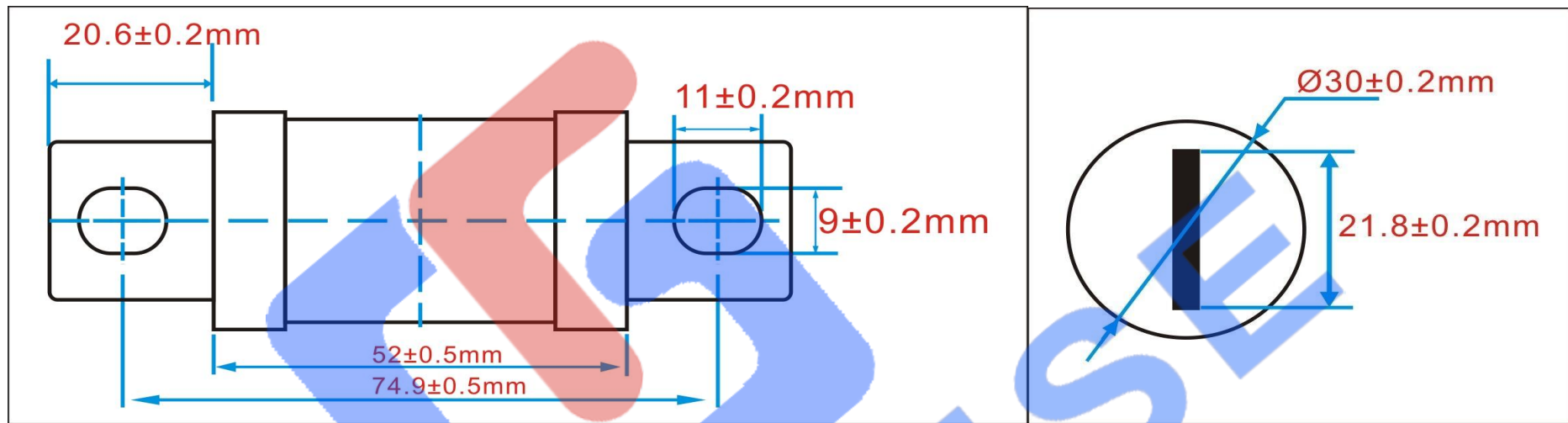
7. Product scale:



Dongguan GongFu Electronics Co.Ltd.

GFEFUSE®

Focus: fuse holder and fuse



TEL:0769-82391938

FAX:0769-82391939

<http://www.dcfuselink.com>



8. Characteristic curve:

