

H14F/H14FA Dc fast fuse

1 . Purpose and use

This series of fuses are suitable for rated DC 750V-1000V (10A-50A) line protection, as a comprehensive protection for instrument power lines and wiring harnesses, and also has strong current limiting capabilities and high breaking Capability, fast short-circuit breaking speed, etc., and can withstand temperature shock, mechanical shock, current shock, chemical load, etc. Breaking capacity: AC (50KA) DC (20KA)

2 . Normal working conditions

Ambient air temperature Normal use condition: -40°C ~ +125°C;

3. Use category

“gR”Indicates a fast fuse for full range protection.

4. Structural features

The melting tube of this product is made of special high temperature resistant materials, with high flame retardancy and strong hardness. The melt is made of 99.99% pure silver and is encapsulated in the melting tube. The molten tube

TEL:0769-82391938

FAX:0769-82391939

<http://www.dcfuselink.com>

Dongguan GongFu Electronics Co., Ltd.

GFEFUSE®

Focus: protection components

is filled with chemically treated high Purity quartz sand and special chemical materials are used as the arc extinguishing medium. The contact surface is treated with silver plating to ensure reliable electrical performance and greatly reduce the temperature rise and power consumption. Both ends of the melt are firmly connected to the contacts by spot welding, which improves The safety and reliability of breaking short-circuit fault current is greatly enhanced

5. Agreed current and agreed time

| Test current (A) | Fusing time (s) | |
|---------------------|-----------------|------|
| | In: | |
| | min | max |
| 1. 1In | 14400 | - |
| 1. 35In | 150 | 3600 |
| 1. 5In | 20 | 1500 |
| 2In | 1 | 300 |
| 3In | 0.2 | 30 |
| 5In | 0.05 | 1 |

Note: The agreed current and agreed time required by the customer can be negotiated with our company.

TEL: 0769-82391938

FAX: 0769-82391939

<http://www.dcfuselink.com>

6. Main parameters

| No: | Model number | Rated current (A) | Rated voltage (V) DC | Breaking capacity DC (20KA) | Rated voltage (V) AC | Breaking capacity AC (50KA) |
|-----|----------------|----------------------|-------------------------|--------------------------------|-------------------------|--------------------------------|
| 1 | H14F10/H14FA10 | 10A | 750V/1000V | 20KA | 500V/700V | 50KA |
| 2 | H14F15/H14FA15 | 15A | 750V/1000V | 20kA | 500V/700V | 50KA |
| 3 | H14F20/H14FA20 | 20A | 750V/1000V | 20kA | 500V/700V | 50KA |
| 4 | H14F25/H14FA25 | 25A | 750V/1000V | 20kA | 500V/700V | 50KA |
| 5 | H14F30/H14FA30 | 30A | 750V/1000V | 20kA | 500V/700V | 50KA |
| 6 | H14F35/H14FA35 | 35A | 750V/1000V | 20kA | 500V/700V | 50KA |
| 7 | H14F40/H14FA40 | 40A | 750V/1000V | 20kA | 500V/700V | 50KA |
| 8 | H14F45/V14FA45 | 45A | 750V/1000V | 20kA | 500V/700V | 50KA |
| 9 | H14F50/H14FA50 | 50A | 750V/1000V | 20kA | 500V/700V | 50KA |

Note: Can be customized according to specific requirements

TEL:0769-82391938

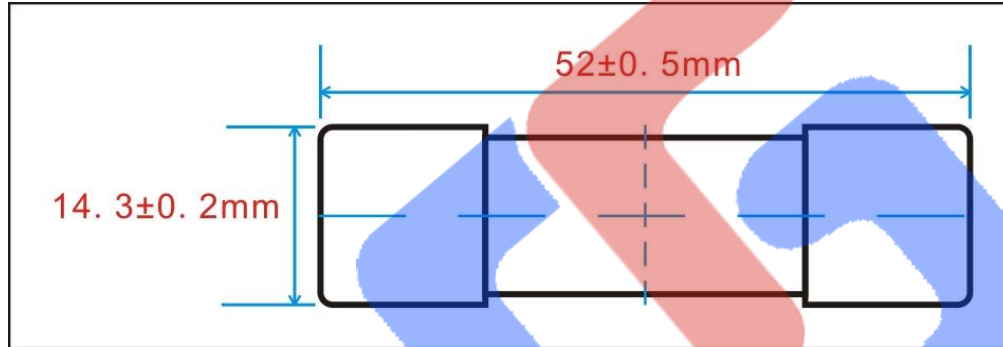
FAX:0769-82391939

<http://www.dcfuselink.com>

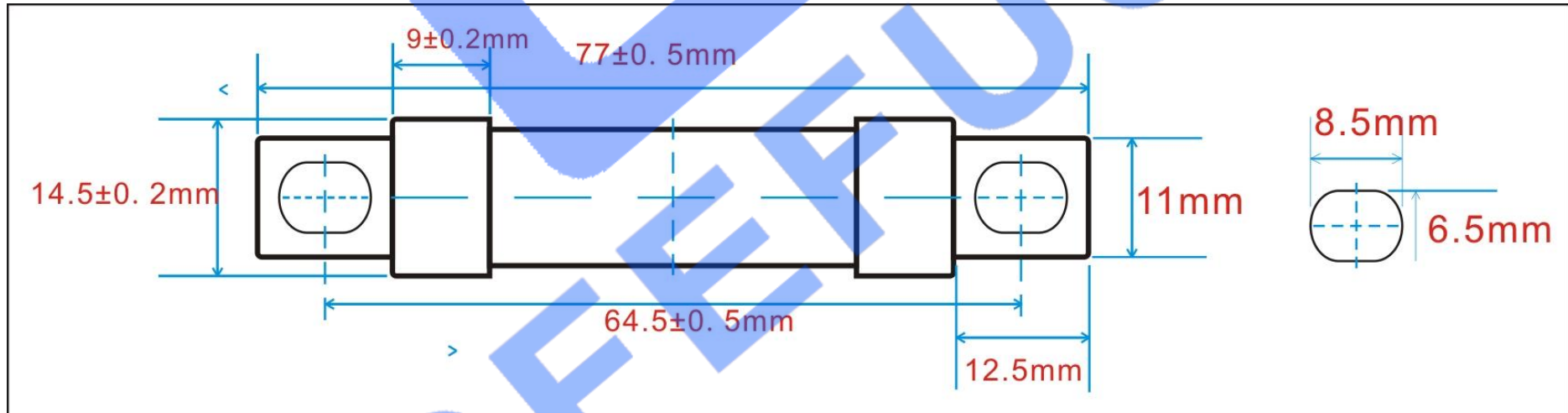


7 . Product size chart:

1) H14F



2) H14FA





8. Characteristic curve: (For reference only)

