



Dongguan GongFu Electronics Co.Ltd. **GFEFUSE®** Focus: fuse holder and fuse

10H30L Series DC Fuse

1. Purpose and use

This series of fuses are suitable for lines with rated DC voltage below 1000V, rated current of 100A-200A and breaking capacity of 20kA. They are widely used in chargers. Comprehensive protection of charging pile, on-board battery, on-board circuit system and inverter. At the same time, it has the characteristics of strong current limiting capacity, large breaking capacity and fast short-circuit breaking speed. It can withstand temperature shock, mechanical vibration shock, current shock, chemical load, etc. This series of products conform to ISO 8820, JASO D622 and GB / T31465 standards.

2. Normal working conditions

Normal operating conditions of ambient air temperature: - 5 °C ~ 40 °C; allowable operating conditions: - 40 °C ~ + 125 °C; Relative humidity: 5% ~ 95%; Atmospheric pressure: 61.6 kPa ~ 106.2 kPa.

3. Use category

Full range fast fuse (gR)

4. Structural characteristics

The melting tube of the product is made of high-temperature resistant ceramic material, with high flame-retardant performance and strong hardness.

The melt is sealed in the melting tube with a variable cross-section melt made of 99.99% pure silver. The melting tube is filled with chemically treated high-purity quartz sand and specially treated chemical materials as arc extinguishing medium. The contact surface is silver plated to

TEL:0769-82391938

FAX:0769-82391939

<http://www.dcfuselink.com>



Dongguan GongFu Electronics Co.Ltd. **GFEFUSE®** Focus: fuse holder and fuse

ensure reliable electrical performance, greatly reducing temperature rise and power consumption; Both ends of the melt are firmly connected with the contact by spot welding, which greatly enhances the safety and reliability of breaking short circuit fault current

5. Agreed current and agreed time

Test current A	Fusing time s	
	In: $\geq 60A$	
	min	max
1.1In	14400	-
1.35In	150	3600
1.5In	20	1500
2In	1	300
3In	0.2	30
5In	0.05	1

Note: the agreed current and agreed time required by the customer can be negotiated with our company.

The characteristics of fuse will vary according to the use environment and surrounding design requirements. The performance characteristics are obtained according to the rated constant temperature of 25 °C

TEL:0769-82391938

FAX:0769-82391939

<http://www.dcfuselink.com>



6. Main parameters

NO:	Product model	Rated current (A)	Rated voltage	Maximum voltage drop	Breaking Capacity (KA)
			DC (V)	110%(mV)	
1	10H30L100	100	1000V	184	20
2	10H30L125	125	1000V	184	20
3	10H30L150	150	1000V	156	20
4	10H30L175	175	1000V	180	20
5	10H30L200	200	1000V	180	20

Note: can be customized according to customer requirements of different current and performance.

7. Product scale:

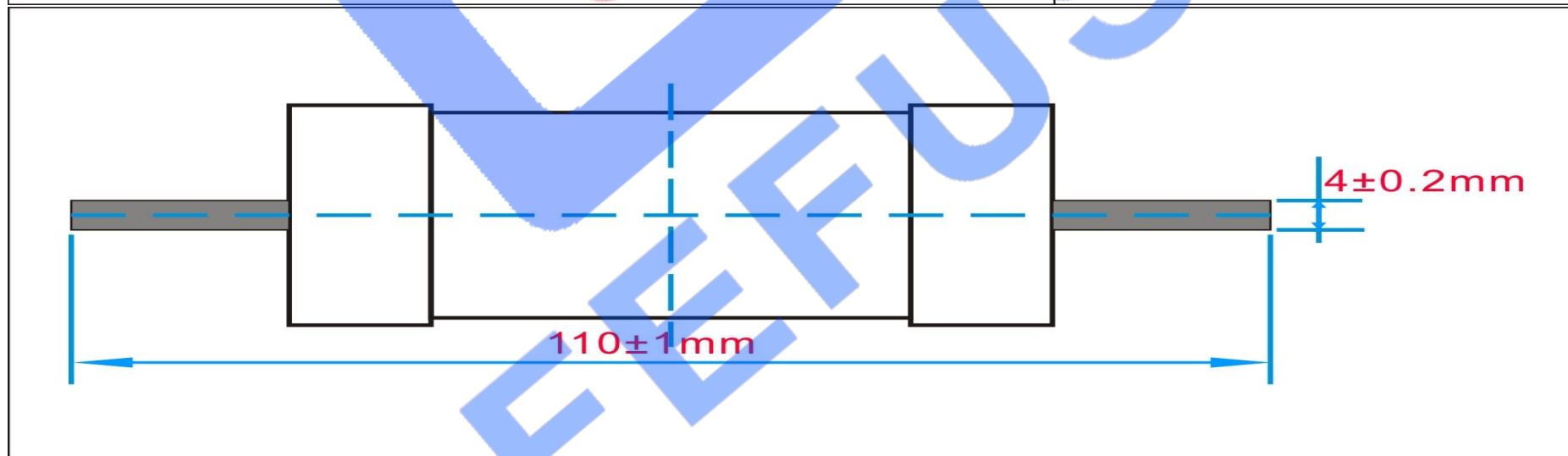
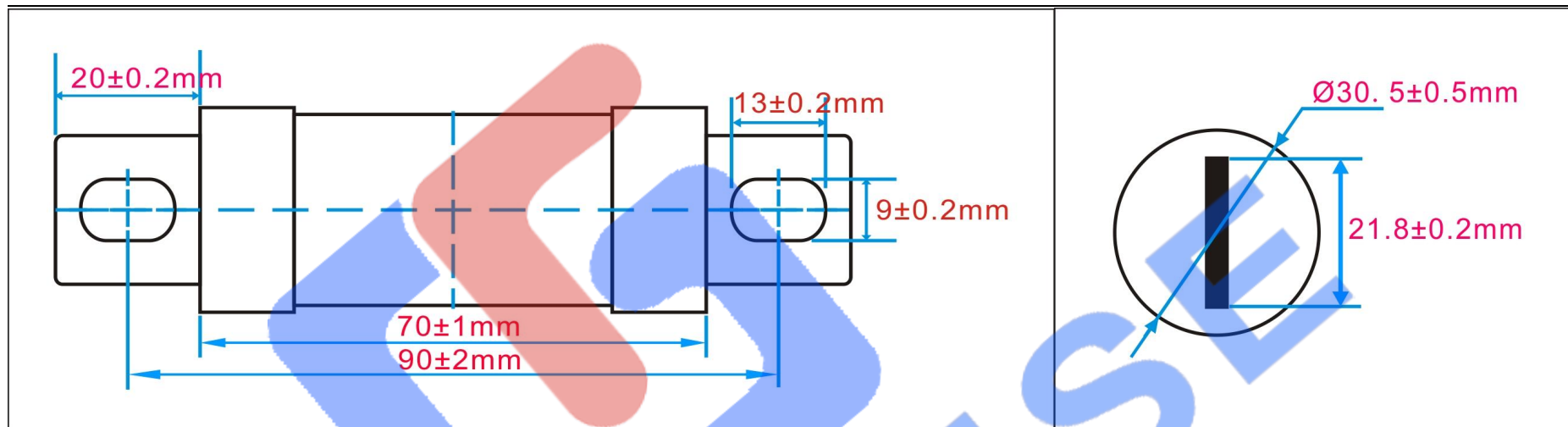
TEL:0769-82391938

FAX:0769-82391939

<http://www.dcfuselink.com>



Dongguan GongFu Electronics Co.Ltd. **GFEFUSE®** Focus: fuse holder and fuse





8. Characteristic curve:

